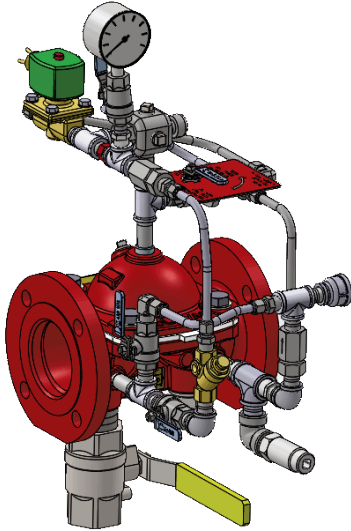




— MODEL — **8134-DL**

Solenoid Operated Deluge Valve with Manual Reset and Test Circuit



Pending



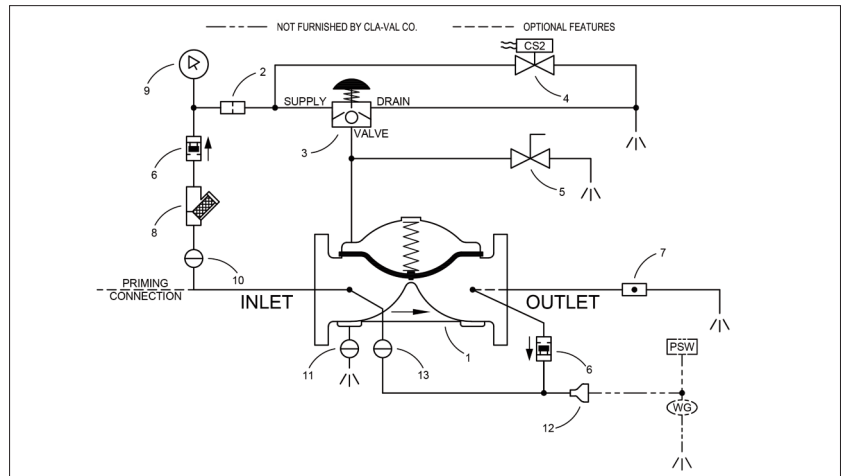
- **UL Listed / ULC Listed / CCCF Approved**
- **Flanged and grooved end connections available**
- **Reliable Drip Tight Shut-off**
- **Integral Manual Override Feature and Test Circuit**

The Cla-Val Model 8134-DL Deluge Valve is designed for use in controlling water flow to Deluge, Pre-Action, or Foam-Water type fire protection sprinkler systems. This valve is UL Listed in "Special Systems Water Control Valves Class I (VLFT) for both vertical and horizontal installation applications

The Model 8134-DL's Main Valve is a hydraulically operated, diaphragm-actuated, globe pattern Deluge Valve. It consists of three major components: the body, the cover, and the diaphragm assembly. The only moving part is the diaphragm assembly. Packless construction and simplicity of design assures long service life and dependable low maintenance for this valve. All ferrous parts are fusion-bonded epoxy coated internally and externally for added corrosion resistance.

Schematic Diagram

Item	Description
1	8134-DL Hytrol Main Valve
2	X58C Restriction Assembly
3	Manual Reset Pilot Valve
4	CS2 Solenoid Control
5	CK2 Cock - Manual Bypass
6	CDC Check Valve
7	Drain Valve, Ball Drip
8	X43 "Y" Strainer
9	X141 Pressure Gauge
10	CK2 Cock - Priming Valve
11	CK2 Cock - Inlet Drain Valve
12	Bell Reducer
13	CK2 Cock (Checker Valve)



Customer Supplied Items:

- PSW - Pressure Switch
- WG - Water Gong

Specifications

- Sizes** 2 2" - 8"
- End Details** 150 Class ANSI B16.42 Flanges (2" - 8")
Grooved Ends (2" - 8")
- Pressure Ratings** 200 psi maximum (All Materials)
- Temperature Range.** Water: to 180° F. Max

Functional Data

Valve Size	Inches	2	2.5	3	4	6	8
	mm		50	65	80	100	150
Cv Factor	Gal/Min (gpm)	75	110	140	245	540	540
	Litres/Sec (l/s)	18	27	34	59	129	129

When Ordering, Please Specify

1. Model No. 8134-DL
2. Size
3. Body & Cover Material
4. Grooved or Flanged Ends
5. Pressure Class
6. Internal Trim Material

Materials

Main Valve Body & Cover:

- Ductile Iron ASTM A-536* UL
- Nickel Aluminum Bronze ASTM B148 UL
- 316 Stainless Steel - ASTM A743 Grades CF3M and CFM8
- Super Austenitic Stainless Steel - ASTM A351 Grade CK3MCuN (SMO 254)
- Super Duplex Stainless Steel - ASTM A890 Grade 5A (CE3MN)

Main Valve Internal Trim Options:

- 300 Series Stainless Steel • Bronze ASTM B61 Monel QQ-N-281 Class B

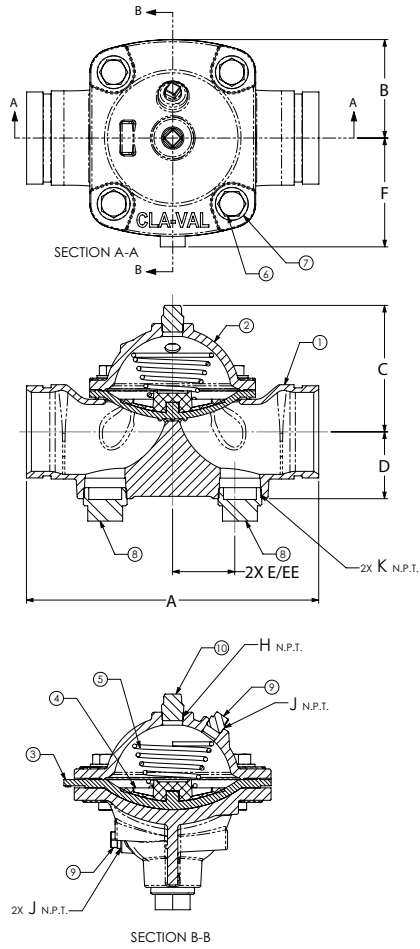
Diaphragm and Disc: Synthetic Rubber

*Internally & Externally Epoxy Coated

8134-DL Dimensions

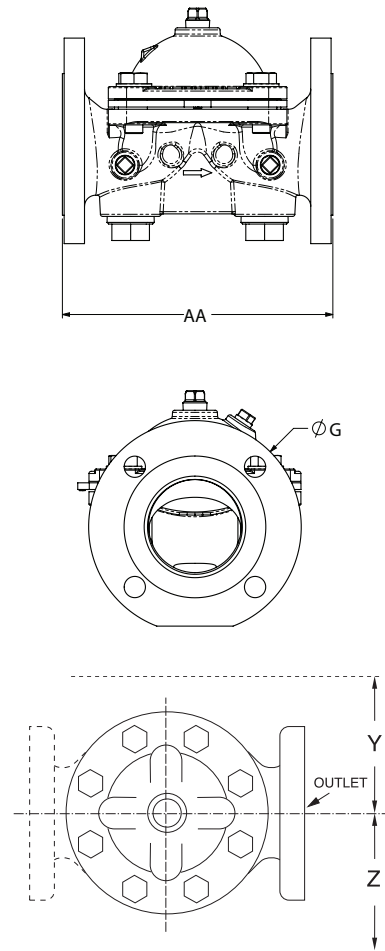
Grooved End Connections

80mm/3" VALVE WITH GROOVED ENDS SHOWN



Flanged End Connections

80mm/3" VALVE WITH FLANGED ENDS SHOWN



VALVE SIZE	A GROOVED ENDS	AA ANSI 150 LB RAISED-FACE FLANGED ENDS	B	C (MAX)	D	E GROOVED ENDS	EE ANSI 150 LB RAISED-FACE FLANGED ENDS	F	G FLANGE DIAMETER	H N.P.T.	J 3X N.P.T.	K 2X N.P.T.
50mm 1/2"	7.87 (200)	7.48 (190)	2.49 (63)	3.75 (95)	1.67 (43)	1.38 (35)	1.38 (35)	2.83 (72)	6.00 (152)	3/8"-18	3/8"-18	3/4"-14
65mm 2 1/2"	10.08 (256)	8.50 (216)	2.85 (72)	4.75 (121)	1.97 (50)	2.76 (70)	2.76 (70)	3.25 (82)	7.00 (178)	3/8"-18	3/8"-18	1 1/4"-11 1/2
80mm 3"	11.10 (282)	9.54 (242)	3.74 (95)	5.25 (133)	2.54 (65)	2.56 (65)	2.36 (60)	4.13 (105)	7.50 (191)	1/2"-14	3/8"-18	1 1/4"-11 1/2
100mm 4"	14.61 (371)	12.48 (317)	4.53 (115)	6.25 (159)	3.11 (79)	3.11 (79)	3.11 (79)	4.88 (124)	9.00 (229)	3/8"-18	3/8"-18	2"-11 1/2
150mm 6"	18.12 (460)	15.84 (402)	6.00 (153)	8.25 (210)	4.02 (102)	4.53 (115)	4.53 (115)	6.34 (161)	11.00 (279)	3/8"-18	3/8"-18	2"-11 1/2
200mm 8"	18.36 (467)	16.35 (415)	6.00 (153)	9.25 (235)	5.12 (130)	6.10 (155)	5.12 (130)	6.34 (161)	13.50 (343)	3/8"-18	3/8"-18	2"-11 1/2

DIMENSIONS IN () ARE IN MILLIMETERS.



CLA-VAL

1701 Placentia Avenue • Costa Mesa CA 92627

800-942-6326 • Fax: 949-548-5441 • Web Site: cla-val.com • E-mail: info@cla-val.com

CLA-VAL CANADA

4687 Christie Drive
Beamsville, Ontario
Canada L0R 1B4
Phone: 905-563-4963
E-mail sales@cla-val.ca

CLA-VAL EUROPE

Chemin des Mésanges 1
CH-1032 Romanel/
Lausanne, Switzerland
Phone: 41-21-643-15-55
E-mail: cla-val@cla-val.ch

CLA-VAL UK

Dainton House, Goods Station Road
Tunbridge Wells
Kent TN1 2 DH England
Phone: 44-1892-514-400
E-mail: info@cla-val.co.uk

CLA-VAL FRANCE

Porte du Grand Lyon 1
ZAC du Champ du Périer
France - 01700 Neyron
Phone: 33-4-72-25-92-93
E-mail: cla-val@cla-val.fr

CLA-VAL PACIFIC

45 Kennaway Road
Woolston, Christchurch, 8023
New Zealand
Phone: 64-39644860
www.cla-valpacific.com
E-mail: info@cla-valpacific.com