

8090-71

Pressure Reducing Valve



The Cla-Val Model 8090-71 Pressure Reducing Valve automatically reduces a higher inlet pressure to a steady lower downstream pressure, regardless of changing flow rate and/or varying inlet pressure. This valve is an accurate, pilot-operated regulator capable of holding downstream pressure to a pre-determined limit. When downstream pressure exceeds the pressure setting of the control pilot, the main valve and pilot valve close drip-tight.

- Body - Ductile Iron, Epoxy Coated
- option in Nickel Aluminium Bronze
- Diaphragm - Reinforced Natural Rubber
- Fastenings - Stainless Steel
- Spring - Stainless Steel

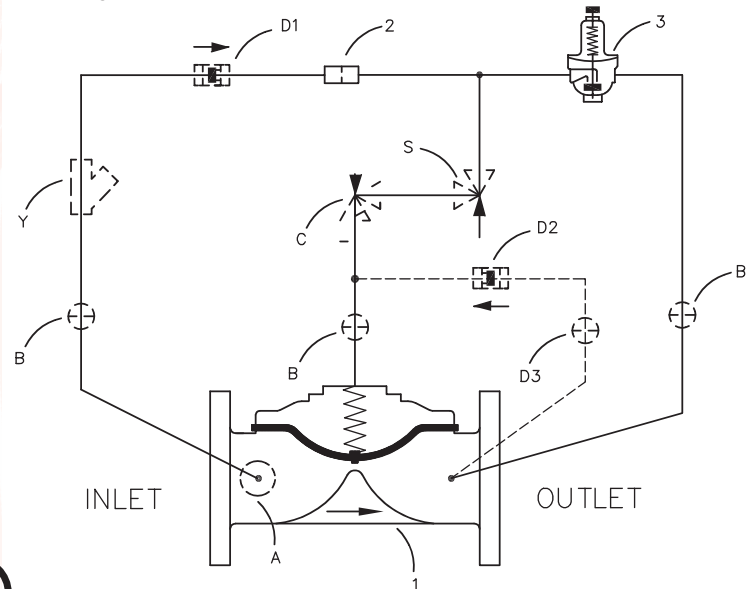
Schematic Diagram

Item	Description
1	W Series Main Valve - (100-48L)
2	X58 Restriction Fitting
3	CRD Pressure Reducing Control

Optional Features

Item	Description
A	X46A Flow Clean Strainer
B	CK2 (Isolation Valve)
C	CV Flow Control (Closing)*
D	Check Valves with Isolation Valve
P	X141 Pressure Gauge
S	CV Flow Control (Opening)
Y	X43 "Y" Strainer

*The closing speed control (optional) on this valve should always be open at least three (3) turns off its seat.



(Main Valve/8000G)

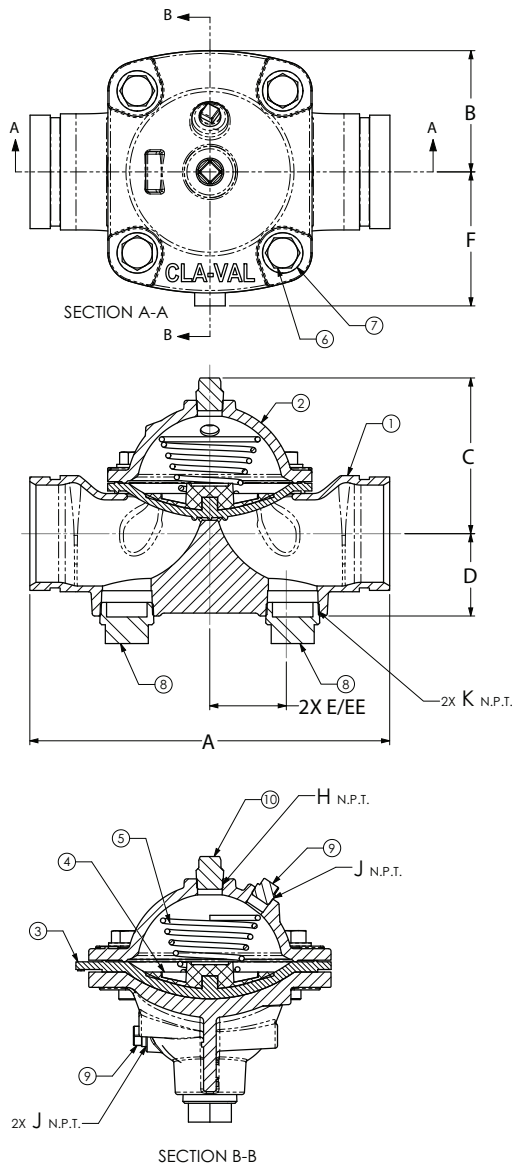
Materials and Data

- 25 - 65 mm Threaded BSP
- 80 - 200 Flanged 150 PN16 / AS4087 PN16 / ANSI 150
- Pressure Rating - 16 bar.
- Minimum Opening Pressure: 0.7 bar.
- Minimum Velocity: 0.5 m/s
- Maximum Continuous Velocity: 8 m/s
- Maximum Temperature: 70°C

Dimensions

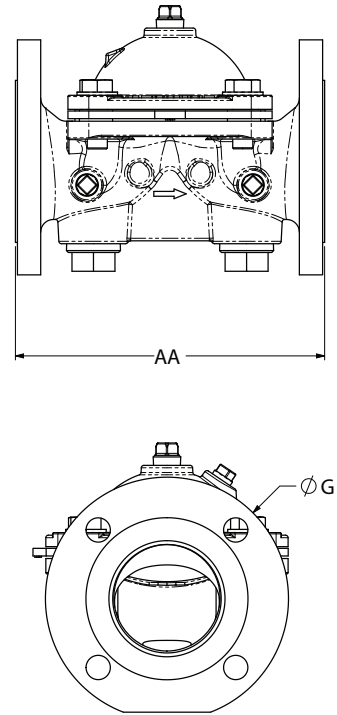
Grooved End Connections

80mm/3" VALVE WITH GROOVED ENDS SHOWN



Flanged End Connections

80mm/3" VALVE WITH FLANGED ENDS SHOWN



To Order, please specify:

1. Catalog No. 8090-71
2. Valve Size
3. Pressure Class
4. Grooved or Flanged

VALVE SIZE	A GROOVED ENDS	AA ANSI 150 LB RAISED-FACE FLANGED ENDS	B	C (MAX)	D	E GROOVED ENDS	EE ANSI 150 LB RAISED-FACE FLANGED ENDS	F	G FLANGE DIAMETER	H N.P.T.	J 3X N.P.T.	K 2X N.P.T.
50mm 1/2"	7.87 (200)	7.48 (190)	2.49 (63)	3.75 (95)	1.67 (43)	1.38 (35)	1.38 (35)	2.83 (72)	6.00 (152)	3/8"-18	3/8"-18	3/4"-14
65mm 2 1/2"	10.08 (256)	8.50 (216)	2.85 (72)	4.75 (121)	1.97 (50)	2.76 (70)	2.76 (70)	3.25 (82)	7.00 (178)	3/8"-18	3/8"-18	1 1/4"-11 1/2
80mm 3"	11.10 (282)	9.54 (242)	3.74 (95)	5.25 (133)	2.54 (65)	2.56 (65)	2.36 (60)	4.13 (105)	7.50 (191)	1/2"-14	3/8"-18	1 1/4"-11 1/2
100mm 4"	14.61 (371)	12.48 (317)	4.53 (115)	6.25 (159)	3.11 (79)	3.11 (79)	3.11 (79)	4.88 (124)	9.00 (229)	3/8"-18	3/8"-18	2"-11 1/2
150mm 6"	18.12 (460)	15.84 (402)	6.00 (153)	8.25 (210)	4.02 (102)	4.53 (115)	4.53 (115)	6.34 (161)	11.00 (279)	3/8"-18	3/8"-18	2"-11 1/2
200mm 8"	18.36 (467)	16.35 (415)	6.00 (153)	9.25 (235)	5.12 (130)	6.10 (155)	5.12 (130)	6.34 (161)	13.50 (343)	3/8"-18	3/8"-18	2"-11 1/2

DIMENSIONS IN () ARE IN MILLIMETERS.



Cla-Val Pacific
 45 Kennaway Road, Woolston, Christchurch
 Tel: +64 (0)3 964 4860
 Email: aspacsales@cla-val.com
www.cla-valpacific.com

