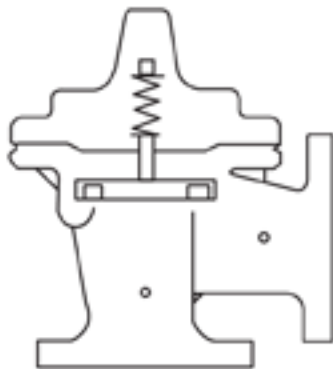
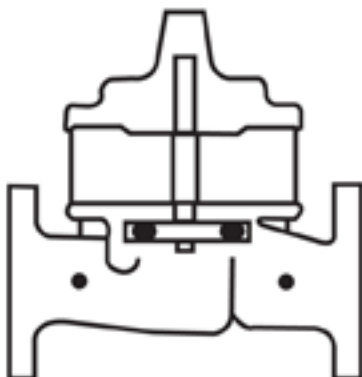


INSTALLATION



OPERATION



MAINTENANCE

This page was intentionally left blank!



CLA-VAL CO. NEWPORT BEACH, CALIFORNIA

CATALOG NO.

81-02

DRAWING NO.

89991

REV.

D

TYPE OF VALVE AND MAIN FEATURES

CHECK VALVE (EQUIPPED WITH HIGH CAPACITY DUAL SPEED CONTROLS)

DESIGN

DRAWN 10-21-83

BF

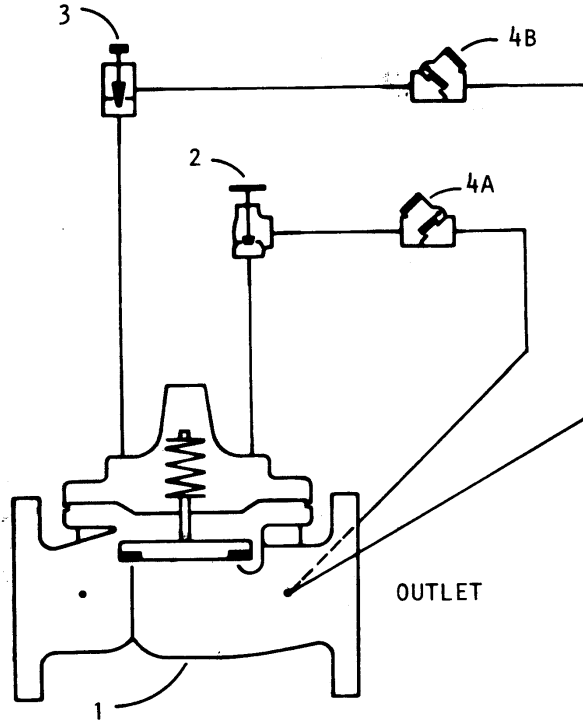
CHK'D. 3-20-84

KD

APP'D. 6-21-84

CA

----- NOT FURNISHED BY CLA-VAL CO. ----- OPTIONAL FEATURES



DC 1-8-88
 D CHG #1, WAS 100-10, ECO 9353

| REVISION RECORD | |
|-----------------|----------|
| BY | DATE |
| BH | 10-21-83 |

A-B SEE REVISION #FILE
 C REVISED & REDRAWN: ECO 5270

| ITEM NO. | BASIC COMPONENTS | QTY. |
|----------|------------------------------|------|
| 1 | 100-Q1 HYTROL (REVERSE FLOW) | 1 |
| 2 | CGA ANGLE VALVE (CLOSING) | 1 |
| 3 | CNA NEEDLE VALVE (OPENING) | 1 |
| 4 | CSC SWING CHECK VALVE | 2 |

| OPTIONAL FEATURE SUFFIX ADD TO CATALOG NUMBER | |
|---|--|
| | |
| | |
| | |
| | |
| | |
| | |
| | |
| | |
| | |
| | |

"This drawing is the property of CLA-VAL CO. and same and copies made thereof, if any, shall be returned to it upon demand. Delivery and disclosure hereof are made solely upon condition that the same shall not be used, copied or reproduced, nor shall the subject hereof be disclosed in any manner to anyone for any purpose, except as here in authorized, without prior written approval of CLA-VAL CO. This drawing is submitted confidentially and may not be used in the manufacture of any material or product other than such materials and products furnished to CLA-VAL CO. Whether or not the equipment or information shown hereon is patented or otherwise protected, full title and copyrights, if any, in and to this drawing and/or information delivered or submitted are fully reserved by CLA-VAL CO."

FORM 59B 3-29-77



CLA-VAL CO. NEWPORT BEACH, CALIFORNIA
CVCL 1 2 3 4

CATALOG NO.
81-02

DRAWING NO.
89991

REV.
D

CHECK VALVE (EQUIPPED WITH HIGH CAPACITY DUAL SPEED CONTROLS)

| | |
|--------|----------------|
| DESIGN | |
| DRAWN | 5-9-75 CH |
| CHK'D. | 5-12-75 MF |
| APP'D. | 5-17-75 J.A.S. |
| SCALE | DIST CODE 002 |

OPERATING DATA

I. CHECK VALVE FEATURE:

WHEN OUTLET PRESSURE IS HIGHER THAN INLET PRESSURE, CHECK VALVE (4A) OPENS AND (4B) CLOSSES. THIS DIRECTS THE HIGHER OUTLET PRESSURE INTO THE MAIN VALVE COVER AND THE MAIN VALVE CLOSSES. WHEN INLET PRESSURE EXCEEDS OUTLET PRESSURE, CHECK VALVE (4B) OPENS AND (4A) CLOSSES. THIS RELIEVES PRESSURE FROM THE MAIN VALVE COVER TO THE OUTLET AND THE MAIN VALVE OPENS.

II. CLOSING SPEED CONTROL:

ANGLE VALVE (2) CONTROLS THE CLOSING SPEED OF THE MAIN VALVE. TURN THE HANDWHEEL ON VALVE (2) CLOCKWISE TO MAKE THE MAIN VALVE CLOSE SLOWER. DO NOT CLOSE VALVE (2) COMPLETELY OR THE MAIN VALVE WILL NOT CLOSE.

III. OPENING SPEED CONTROL FEATURE:

NEEDLE VALVE (3) CONTROLS THE OPENING SPEED OF THE MAIN VALVE. TURN THE ADJUSTING STEM CLOCKWISE TO MAKE THE MAIN VALVE (1) OPEN SLOWER. DO NOT CLOSE NEEDLE VALVE (3) COMPLETELY OR THE MAIN VALVE (1) WILL NOT OPEN. [SUGGESTED INITIAL SETTING 1/4 TURN OPEN.]

IV. CHECK LIST FOR PROPER OPERATION:

- SYSTEM VALVES OPEN UPSTREAM AND DOWNSTREAM.
- AIR REMOVED FROM THE MAIN VALVE COVER AND PILOT SYSTEM AT ALL HIGH POINTS.
- VALVES (2) & (3) OPEN AT LEAST 1/4 TURN.

| | | |
|-------------|-------------|------|
| LTR | DESCRIPTION | DATE |
| | | BY |
| SEE SHEET 1 | | |

REVISION RECORD

FORM F-4 REV 1-68 PRINTED IN U. S. A.

"This drawing is the property of CLA-VAL CO. and same and copies made thereof, if any, shall be returned to it upon demand. Delivery and disclosure hereof are made solely upon condition that the same shall not be used, copied or reproduced, nor shall the subject hereof be disclosed in any manner to anyone for any purpose, except as herein authorized, without prior written approval of CLA-VAL CO. This drawing is submitted confidentially and may not be used in the manufacture of any material or product other than such materials and products furnished to CLA-VAL CO. Whether or not the equipment or information shown hereon is patented or otherwise protected, full title and copyrights, if any, in and to this drawing and/or information delivered or submitted are fully reserved by CLA-VAL CO."

This page was intentionally left blank!

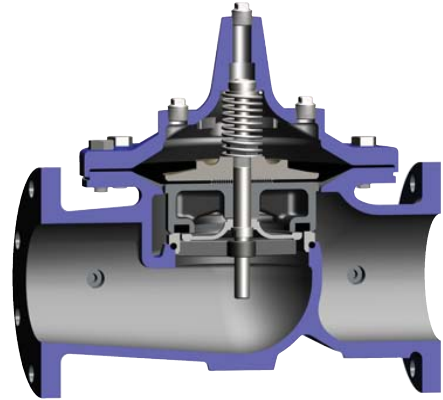


—MODEL— **100-01**
Hytrol Valve

Description

The Cla-Val Model 100-01 Hytrol Valve is a main valve for Cla-Val Automatic Control Valves. It is a hydraulically operated, diaphragm-actuated, globe or angle pattern valve.

This valve consists of three major components; body, diaphragm assembly, and cover. The diaphragm assembly is the only moving part. The diaphragm assembly uses a diaphragm of nylon fabric bonded with synthetic rubber. A synthetic rubber disc, contained on three and one half sides by a disc retainer and disc guide, forms a seal with the valve seat when pressure is applied above the diaphragm. The diaphragm assembly forms a sealed chamber in the upper portion of the valve, separating operating pressure from line pressure.



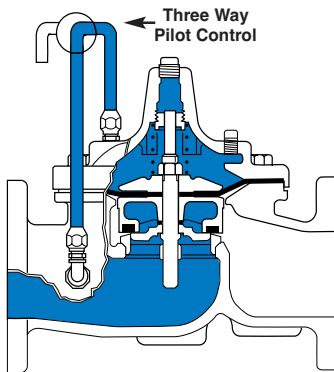
Installation

1. Before valve is installed, pipe lines should be flushed of all chips, scale and foreign matter.
2. It is recommended that either gate or block valves be installed on both ends of the 100-01 Hytrol Valve to facilitate isolating the valve for preventive maintenance and repairs.
3. Place the valve in the line with flow through the valve in the direction indicated on the inlet nameplate. (See "Flow Direction" Section)
4. Allow sufficient room around valve to make adjustments and for disassembly.
5. Cla-Val 100-01 Hytrol Valves operate with maximum efficiency when mounted in horizontal piping with the cover UP, however, other positions are acceptable. Due to size and weight of the cover and internal components of 8 inch and larger valves,

installation with the cover UP is advisable. This makes internal parts readily accessible for periodic inspection.

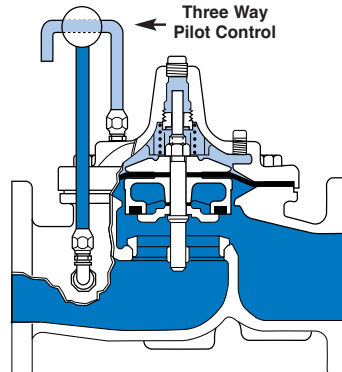
6. Caution must be taken in the installation of this valve to insure that galvanic and/or electrolytic action does not take place. The proper use of dielectric fittings and gaskets are required in all systems using dissimilar metals.
7. If a pilot control system is installed on the 100-01 Hytrol Valve, use care to prevent damage. If it is necessary to remove fittings or components, be sure they are kept clean and replaced exactly as they were.
8. After the valve is installed and the system is first pressurized, vent air from the cover chamber and pilot system tubing by loosening fittings at all high points.

Principles of Operation



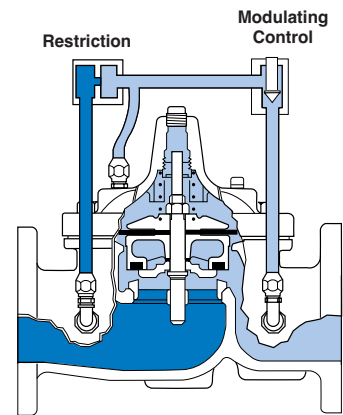
Tight Closing Operation

When pressure from the valve inlet (or an equivalent independent operating pressure) is applied to the diaphragm chamber the valve closes drip-tight.



Full Open Operation

When pressure in diaphragm chamber is relieved to a zone of lower pressure (usually atmosphere) the line pressure (5 psi Min.) at the valve inlet opens the valve.



Modulating Action

Valve modulates when diaphragm pressure is held at an intermediate point between inlet and discharge pressure. With the use of a Cla-Val. "modulating control," which reacts to line pressure changes, the pressure above the diaphragm is varied, allowing the valve to throttle and compensate for the change.

Flow Direction

The flow through the 100-01 Hytrol Valve can be in one of two directions. When flow is “up-and-over the seat,” it is in “normal” flow and the valve will fail in the open position. When flow is “over-the seat-and down,” it is in “reverse” flow and the valve will fail in the closed position. There are no permanent flow arrow markings.



Recommended Tools

1. Three pressure gauges with ranges suitable to the installation to be put at Hytrol inlet, outlet and cover connections.
2. Cla-Val Model X101 Valve Position Indicator. This provides visual indication of valve position without disassembly of valve.
3. Other items are: suitable hand tools such as screwdrivers, wrenches, etc. soft jawed (brass or aluminum) vise, 400 grit wet or dry sandpaper and water for cleaning.

Troubleshooting

The following troubleshooting information deals strictly with the Model 100-01 Hytrol Valve. This assumes that all other components of the pilot control system have been checked out and are in proper working condition. (See appropriate sections in Technical Manual for complete valve).

All trouble shooting is possible without removing the valve from the line or removing the cover. It is highly recommended to permanently install a Model X101 Valve Position Indicator and three gauges in unused Hytrol inlet, outlet and cover connections.

| SYMPTOM | PROBABLE CAUSE | REMEDY |
|----------------|--|--|
| Fails to Close | Closed isolation valves in control system, or in main line. | Open Isolation valves. |
| | Lack of cover chamber pressure. | Check upstream pressure, pilot system, strainer, tubing, valves, or needle valves for obstruction. |
| | Diaphragm damaged. (See Diaphragm Check.) | Replace diaphragm. |
| | Diaphragm assembly inoperative. Corrosion or excessive scale build up on valve stem. (See Freedom of Movement Check) | Clean and polish stem. Inspect and replace any damaged or badly eroded part. |
| | Mechanical obstruction. Object lodged in valve. (See Freedom of Movement Check) | Remove obstruction. |
| | Worn disc. (See Tight Sealing Check) | Replace disc. |
| | Badly scored seat. (See Tight Sealing Check) | Replace seat. |
| Fails to Open | Closed upstream and/or downstream isolation valves in main line. | Open isolation valves. |
| | Insufficient line pressure. | Check upstream pressure. (Minimum 5 psi flowing line pressure differential.) |
| | Diaphragm assembly inoperative. Corrosion or excessive buildup on valve stem. (See Freedom of Movement Check) | Clean and polish stem. Inspect and replace any damaged or badly eroded part. |
| | Diaphragm damaged. (For valves in "reverse flow" only) | Replace diaphragm. |

After checking out probable causes and remedies, the following three checks can be used to diagnose the nature of the problem before maintenance is started. They must be done in the order shown.

Three Checks

The 100-01 Hytrol Valve has only one moving part (the diaphragm and disc assembly). So, there are only three major types of problems to be considered.

First: Valve is stuck - that is, the diaphragm assembly is not free to move through a full stroke either from open to close or vice versa.

Second: Valve is free to move and can't close because of a worn out diaphragm.

Third: Valve leaks even though it is free to move and the diaphragm isn't leaking.

CAUTION:

*Care should be taken when doing the troubleshooting checks on the 100-01 Hytrol Valve. These checks do require the valve to open fully. This will either allow a high flow rate through the valve, or the downstream pressure will quickly increase to the inlet pressure. In some cases, this can be very harmful. Where this is the case, and there are no block valves in the system to protect the downstream piping, it should be realized that **the valve cannot be serviced under pressure**. Steps should be taken to remedy this situation before proceeding any further.*

Diaphragm Check (#1)

1. Shut off pressure to the Hytrol Valve by slowly closing upstream and downstream isolation valves. **SEE CAUTION.**
2. Disconnect or close all pilot control lines to the valve cover and leave only one fitting in highest point of cover open to atmosphere.
3. With the cover vented to atmosphere, slowly open upstream isolation valve to allow some pressure into the Hytrol Valve body. Observe the open cover tapping for signs of continuous flow. It is not necessary to fully open isolating valve. Volume in cover chamber capacity chart will be displaced as valve moves to open position. Allow sufficient time for diaphragm assembly to shift position. If there is no continuous flow, you can be quite certain the diaphragm is sound and the diaphragm assembly is tight. If the fluid appears to flow continuously this is a good reason to believe the diaphragm is either damaged or it is loose on the stem. In either case, this is sufficient cause to remove the valve cover and investigate the leakage. (See "Maintenance" Section for procedure.)

COVER CHAMBER CAPACITY (Liquid Volume displaced when valve opens)

| Valve size (inches) | Displacement | |
|---------------------|--------------|--------|
| | Gallons | Liters |
| 1 1/4 | .020 | .07 |
| 1 1/2 | .020 | .07 |
| 2 | .032 | .12 |
| 2 1/2 | .043 | .16 |
| 3 | .080 | .30 |
| 4 | .169 | .64 |
| 6 | .531 | 2.0 |
| 8 | 1.26 | 4.8 |
| 10 | 2.51 | 9.5 |
| 12 | 4.00 | 15.1 |
| 14 | 6.50 | 24.6 |
| 16 | 9.57 | 36.2 |
| 20 | 12.00 | 45.4 |
| 24 | 29.00 | 109.8 |
| 30 | 42.00 | 197.0 |
| 36 | 90.00 | 340.0 |

Freedom of Movement Check (#2)

4. Determining the Hytrol Valve's freedom of movement can be done by one of two methods.
5. For most valves it can be done after completing Diaphragm Check (Steps 1, 2, and 3). **SEE CAUTION.** At the end of step 3 the valve should be fully open.
6. If the valve has a Cla-Val X101 Position Indicator, observe the indicator to see that the valve opens wide. Mark the point of maximum opening.
7. Re-connect enough of the control system to permit the application of inlet pressure to the cover. Open pilot system cock so pressure flows from the inlet into the cover.
8. While pressure is building up in the cover, the valve should close smoothly. There is a hesitation in every Hytrol Valve closure, which can be mistaken for a mechanical bind. The stem will appear to stop moving very briefly before going to the closed position. This slight pause is caused by the diaphragm flexing at a particular point in the valve's travel and is not caused by a mechanical bind.
9. When closed, a mark should be made on the X101 Valve position indicator corresponding to the "closed" position. The distance between the two marks should be approximately the stem travel shown in chart.

STEM TRAVEL

(Fully Open to Fully Closed)

| Valve Size (inches) | | Travel (inches) | |
|---------------------|-----|-----------------|-----|
| Inches | MM | Inches | MM |
| 1 1/4 | 32 | 0.4 | 10 |
| 1 1/2 | 40 | 0.4 | 10 |
| 2 | 50 | 0.6 | 15 |
| 2 1/2 | 65 | 0.7 | 18 |
| 3 | 80 | 0.8 | 20 |
| 4 | 100 | 1.1 | 28 |
| 6 | 150 | 1.7 | 43 |
| 8 | 200 | 2.3 | 58 |
| 10 | 250 | 2.8 | 71 |
| 12 | 300 | 3.4 | 86 |
| 14 | 350 | 4.0 | 100 |
| 16 | 400 | 4.5 | 114 |
| 20 | 500 | 5.6 | 143 |
| 24 | 600 | 6.7 | 165 |
| 30 | 800 | 7.5 | 190 |
| 36 | 900 | 8.5 | 216 |

10. If the stroke is different than that shown in stem travel chart this is a good reason to believe something is mechanically restricting the stroke of the valve at one end of its travel. If the flow does not stop through the valve when in the indicated "closed" position, the obstruction probably is between the disc and the seat. If the flow does stop, then the obstruction is more likely in the cover. In either case, the cover must be removed, and the obstruction located and removed. The stem should also be checked for scale build-up. (See "Maintenance, section for procedure.)

11. For valves 6" and smaller, the Hytrol Valve's freedom of movement check can also be done after all pressure is removed from the valve. **SEE CAUTION.** After closing inlet and outlet isolation valves and bleeding pressure from the valve, check that the cover chamber and the body are temporarily vented to atmosphere. Insert fabricated tool into threaded hole in top of valve stem, and lift the diaphragm assembly manually. Note any roughness. The diaphragm assembly should move smoothly throughout entire valve stroke. The tool is fabricated from rod that is threaded on one end to fit valve stem and has a "T" bar handle of some kind on the other end for easy gripping. (See chart in Step 4 of "Disassembly" Section.)

12. Place marks on this diaphragm assembly lifting tool when the valve is closed and when manually positioned open. The distance between the two marks should be approximately the stem travel shown in stem travel chart. If the stroke is different than that shown, there is a good reason to believe something is mechanically restricting the stroke of the valve. The cover must be removed, and the obstruction located and removed. The stem should also be checked for scale build-up. (See "Maintenance" Section for procedure.)

Tight Sealing Check (#3)

13. Test for seat leakage after completing checks #1 & #2 (Steps 1 to 12). **SEE CAUTION.** Close the isolation valve downstream of the Hytrol Valve. Apply inlet pressure to the cover of the valve, wait until it closes. Install a pressure gauge between the two closed valves using one of the two ports in the outlet side of the Hytrol. Watch the pressure gauge. If the pressure begins to climb, then either the downstream isolation valve is permitting pressure to creep back, or the Hytrol is allowing pressure to go through it. Usually the pressure at the Hytrol inlet will be higher than on the isolation valve discharge, so if the pressure goes up to the inlet pressure, you can be sure the Hytrol is leaking. Install another gauge downstream of isolating valve. If the pressure between the valves only goes up to the pressure on the isolation valve discharge, the Hytrol Valve is holding tight, and it was just the isolation valve leaking.

Maintenance

Preventative Maintenance

The Cla-Val Co. Model 100-01 Hytrol Valve requires no lubrication or packing and a minimum of maintenance. However, a periodic inspection schedule should be established to determine how the operating conditions of the system are affecting the valve. The effect of these actions must be determined by inspection.

Disassembly

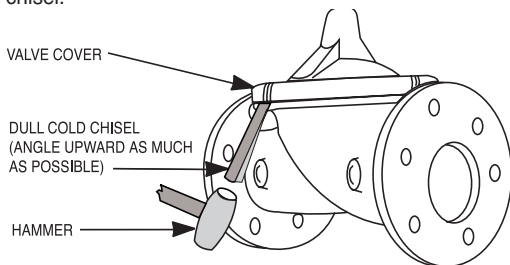
Inspection or maintenance can be accomplished without removing the valve from the line. Repair kits with new diaphragm and disc are recommended to be on hand before work begins.

WARNING: Maintenance personnel can be injured and equipment damaged if disassembly is attempted with pressure in the valve. **SEE CAUTION.**

1. Close upstream and downstream isolation valves **and independent operating pressure when used** to shut off all pressure to the valve.

2. Loosen tube fittings in the pilot system to remove pressure from valve body and cover chamber. After pressure has been released from the valve, use care to remove the controls and tubing. Note and sketch position of tubing and controls for re-assembly. The schematic in front of the Technical Manual can be used as a guide when reassembling pilot system.

3. Remove cover nuts and remove cover. If the valve has been in service for any length of time, chances are the cover will have to be loosened by driving upward along the edge of the cover with a **dull cold chisel**.



On 6" and smaller valves block and tackle or a power hoist can be used to lift valve cover by inserting proper size eye bolt in place of the center cover plug. on 8" and larger valves there are 4 holes (5/8" – 11 size) where jacking screws and/or eye bolts may be inserted for lifting purposes. **Pull cover straight up** to keep from damaging the integral seat bearing and stem.

COVER CENTER PLUG SIZE

| Valve Size | Thread Size (NPT) |
|-----------------|-------------------|
| 1 1/4" – 1 1/2" | 1/4" |
| 2" – 3" | 1/2" |
| 4" – 6" | 3/4" |
| 8" – 10" | 1" |
| 12" | 1 1/4" |
| 14" | 1 1/2" |
| 16" | 2" |
| 20" & 24" | 2" |
| 30" & 36" | 2" |

4. Remove the diaphragm and disc assembly from the valve body. With smaller valves this can be accomplished by hand by **pulling straight up on the stem so as not to damage the seat bearing**. On large valves, an eye bolt of proper size can be installed in the stem and the diaphragm assembly can be then lifted with a block and tackle or power hoist. Take care not to damage the stem or bearings. The valve won't work if these are damaged.

VALVE STEM THREAD SIZE

| Valve Size | Thread Size (UNF Internal) |
|-----------------|----------------------------|
| 1 1/4" – 2 1/2" | 10–32 |
| 3" – 4" | 1/4–28 |
| 6" – 14" | 3/8–24 |
| 16" | 1/2–20 |
| 20" | 3/4–16 |
| 24" | 3/4–16 |
| 30" | 3/4–16 |
| 36" | 3/4–16 |

5. The next item to remove is the stem nut. Examine the stem threads above the nut for signs of mineral deposits or corrosion. If the threads are not clean, use a wire brush to remove as much of the residue as possible. Attach a good fitting wrench to the nut and give it a sharp "rap" rather than a steady pull. Usually several blows are sufficient to loosen the nut for further removal. On the smaller valves, the entire diaphragm assembly can be held by the stem in a vise **equipped with soft brass jaws** before removing the stem nut.

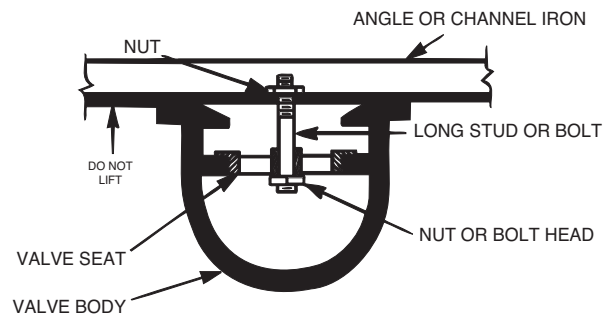
The use of a pipe wrench or a vise without soft brass jaws scars the fine finish on the stem. No amount of careful dressing can restore the stem to its original condition. Damage to the finish of the stem can cause the stem to bind in the bearings and the valve will not open or close.

6. After the stem nut has been removed, the diaphragm assembly breaks down into its component parts. Removal of the disc from the disc retainer can be a problem if the valve has been in service for a long time. Using two screwdrivers inserted along the outside edge of the disc usually will accomplish its removal. Care should be taken to preserve the spacer washers in water, particularly if no new ones are available for re-assembly.

7. The only part left in the valve body is the seat which ordinarily does not require removal. Careful cleaning and polishing of inside and outside surfaces with 400 wet/dry sandpaper will usually restore the seat's sharp edge. If, however, it is badly worn and replacement is necessary, it can be easily removed.

Seats in valve sizes 1 1/4" through 6" are threaded into the valve body. They can be removed with accessory X109 Seat Removing Tool available from the factory. On 8" and larger valves, the seat is held in place by flat head machine screws. Use a tight-fitting, long shank screwdriver to prevent damage to seat screws. If upon removal of the screws the seat cannot be lifted out, it will be necessary to use a piece of angle or channel iron with a hole drilled in the center. Place it across the body so a long stud can be inserted through the center hole in the seat and the hole in the angle iron. By tightening the nut a uniform upward force is exerted on the seat for removal.

NOTE: Do not lift up on the end of the angle iron as this may force the integral bearing out of alignment, causing the stem to bind.



Lime Deposits

One of the easiest ways to remove lime deposits from the valve stem or other metal parts is to dip them in a 5-percent muriatic acid solution just long enough for the deposit to dissolve. This will remove most of the common types of deposits. **CAUTION: USE EXTREME CARE WHEN HANDLING ACID.** Rinse parts in water before handling. If the deposit is not removed by acid, then a fine grit (400) wet or dry sandpaper can be used with water.

Inspection of Parts

After the valve has been disassembled, each part should be examined carefully for signs of wear, corrosion, or any other abnormal condition. Usually, it is a good idea to replace the rubber parts (diaphragm and disc) unless they are free of signs of wear. These are available in a repair kit. Any other parts which appear doubtful should be replaced. **WHEN ORDERING PARTS, BE SURE TO GIVE COMPLETE NAMEPLATE DATA, ITEM NUMBER AND DESCRIPTION.**

NOTE: If a new disc isn't available, the existing disc can be turned over, exposing the unused surface for contact with the seat. The disc should be replaced as soon as practical.

Reassembly

1. Reassembly is the reverse of the disassembly procedure. If a new disc has been installed, it may require a different number of spacer washers to obtain the right amount of "grip" on the disc. When the diaphragm assembly has been tightened to a point where the diaphragm cannot be twisted, the disc should be compressed very slightly by the disc guide. Excessive compression should be avoided. Use just enough spacer washers to hold the disc firmly without noticeable compression.

2. MAKE SURE THE STEM NUT IS VERY TIGHT. Attach a good fitting wrench to the nut and give it a sharp "rap" rather than a steady pull. Usually several blows are sufficient to tighten the stem nut for final tightening. Failure to do so could allow the diaphragm to pull loose and tear when subjected to pressure.

3. Carefully install the diaphragm assembly by lowering the stem through the seat bearing. Take care not to damage the stem or bearing. Line up the diaphragm holes with the stud or bolt holes on the body. On larger valves with studs, it may be necessary to hold the diaphragm assembly up part way while putting the diaphragm over the studs.

4. Put spring in place and replace cover. Make sure diaphragm is lying smooth under the cover.

5. Tighten cover nuts firmly using a cross-over pattern until all nuts are tight.

6. Test Hytrol Valve before re-installing pilot valve system.

Test Procedure After Valve Assembly

There are a few simple tests which can be made in the field to make sure the Hytrol Valve has been assembled properly. Do these before installing pilot system and returning valve to service. These are similar to the three troubleshooting tests.

1. Check the diaphragm assembly for freedom of movement after all pressure is removed from the valve. **SEE CAUTION.** Insert fabricated tool into threaded hole in top of valve stem, and lift the diaphragm assembly manually. Note any roughness, sticking or grabbing. The diaphragm assembly should move smoothly throughout entire valve stroke. The tool is fabricated from rod that is threaded on one end to fit valve stem (See chart in Step 4 of "Disassembly" section.) and has a "T" Bar handle of some kind on the other end for easy gripping.

Place marks on this diaphragm assembly lifting tool when the valve is closed and when manually positioned open. The distance between the two marks should be approximately the stem travel shown in stem travel chart. (See "Freedom of Movement Check" section.) If the stroke is different than that shown, there is a good reason to believe something is mechanically restricting the stroke of the valve. The cover must be removed, the obstruction located and removed. (See "Maintenance" Section for procedure.)

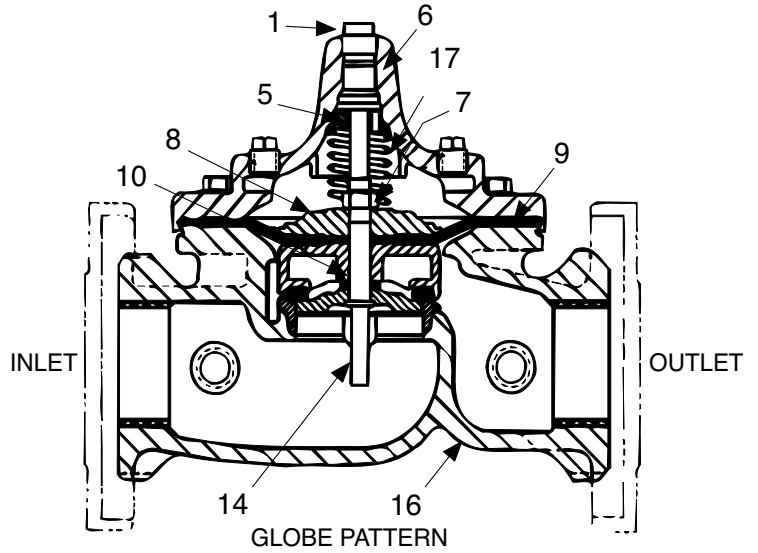
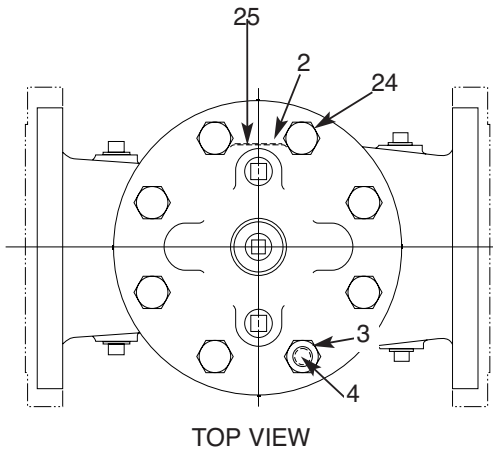
Due to the weight of the diaphragm assembly this procedure is not possible on valves 8" and larger. On these valves, the same determination can be made by carefully introducing a low pressure-less than five psi) into the valve body with the cover vented. **SEE CAUTION.** Looking in cover center hole see the diaphragm assembly lift easily without hesitation, and then settle back easily when the pressure is removed.

2. To check the valve for drip-tight closure, a line should be connected from the inlet to the cover, and pressure applied at the inlet of the valve. If properly assembled, the valve should hold tight with as low as ten PSI at the inlet. See "Tight Sealing Check" section.)

3. With the line connected from the inlet to the cover, apply full working pressure to the inlet. Check all around the cover for any leaks. Re-tighten cover nuts if necessary to stop leaks past the diaphragm.

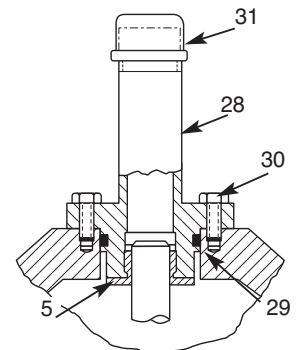
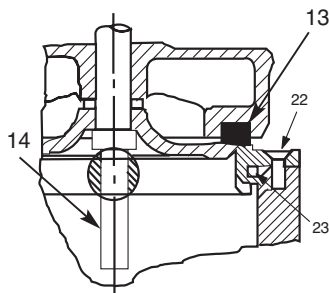
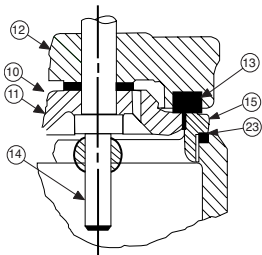
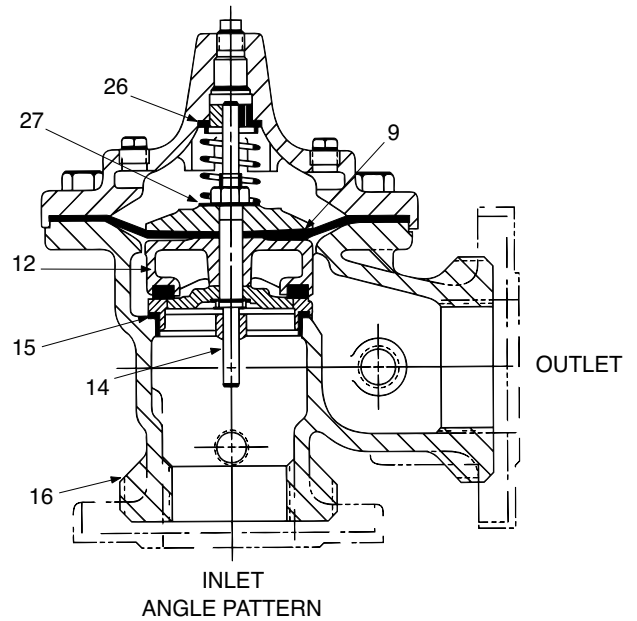
4. Remove pressure, then re-install the pilot system and tubing exactly as it was prior to removal. **Bleed air from all high points.**

5. Follow steps under "Start-Up and Adjustment" Section in Technical Manual for returning complete valve back to service.



PARTS LIST

| Item | Description |
|------|--|
| 1. | Pipe Plug |
| 2. | Drive Screws (for nameplate) |
| 3. | Hex Nut (8" and larger) |
| 4. | Stud (8" and larger) |
| 5. | Cover Bearing |
| 6. | Cover |
| 7. | Stem Nut |
| 8. | Diaphragm Washer |
| 9. | Diaphragm |
| 10. | Spacer Washers |
| 11. | Disc Guide |
| 12. | Disc Retainer |
| 13. | Disc |
| 14. | Stem |
| 15. | Seat |
| 16. | Body |
| 17. | Spring |
| 22. | Flat Head Screws (8" and larger) |
| 23. | Seat O-Ring |
| 24. | Hex head Bolt (1 1/4" thru 4") |
| 25. | Nameplate |
| 26. | Upper Spring Washer (Epoxy coated valves only) |
| 27. | Lower Spring Washer (Epoxy coated valves only) |
| 28. | Cover Bearing Housing (16" only) |
| 29. | Cover O-Ring (16" only) |
| 30. | Hex Bolt (16" only) |
| 31. | Pipe Cap (16" only) |



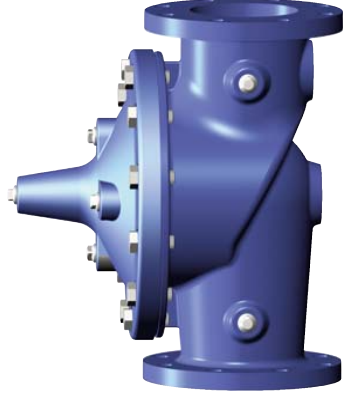


— MODEL — 100-01 Hytrol Valve Service Data

Description 100-01 Hytrol Valve

The Cla-Val Model 100-01 Hytrol Valve is a main valve for Cla-Val Automatic Control Valves. It is a hydraulically operated, diaphragm-actuated, globe or angle pattern valve.

This valve consists of three major components; body, diaphragm assembly, and cover. The diaphragm assembly is the only moving part. The diaphragm assembly uses a diaphragm of nylon fabric bonded with synthetic rubber. A synthetic rubber disc, contained on three and one half sides by a disc retainer and disc guide, forms a seal with the valve seat when pressure is applied above the diaphragm. The diaphragm assembly forms a sealed chamber in the upper portion of the valve, separating operating pressure from line pressure.



Description 100-20 600 Series Hytrol Valve

The Cla-Val Model 100-20 Hytrol Valve (600 Series main valve) have only one part -the body- that is different from standard 100 Series Cla-Val main valve parts. The remaining parts of the 600 series main valve are standard Cla-Val main valve parts. All service and maintenance information for the standard 100 Series main valves also apply to the 600 series main valves.

The most important thing to remember when ordering main valve repair kits and replacement parts, except for the body, all other parts are going to be for a smaller size main valve. Cla-Val identifies main valve parts with the flange size of the standard 100 Series main valve. Refer to the "Main Valve Sizes" chart below.

HYTROL Service Data

| HYTROL SIZE | | Stem Travel | | Cover Capacity Displacement | | Valve Stem Thread | Center Plug | Cover Nut or Bolt | | | Cover Lifting Holes UNC | Cover Plug | | Cover Torque | | Stem Nut** | | Stem Nut Torque | |
|-------------|--------|-------------|-----|-----------------------------|--------|-------------------|-------------|-------------------|----------|-----|-------------------------|------------|--------|--------------|----------|-------------|---------------|-----------------|-----|
| 100-01 | 100-20 | inches | mm | Gallons | Liters | UNF-Internal | NPT | Thread (Bolt) | Socket | Qty | | Thread | Socket | ft. Lbs. | in. Lbs. | Thread | Socket (Long) | Lubed | DRY |
| 1" | 25 | | | | | | | 1/4" - 20 (B) | 7/16" | 8 | | | | 4 | 48 | 3/8" - 24 | | 4 | 6 |
| 1 1/4" | 32 | | | | | | | 5/16" - 18 (B) | 1/2" | 8 | | | | 8 | 96 | 7/16" - 20 | | 6 | 10 |
| 1 1/2" | 40 | | | | | | | 5/16" - 18 (B) | 1/2" | 8 | | | | 8 | 96 | 7/16" - 20 | | 6 | 10 |
| 2" | 50 | | | | | | | 3/8" - 16 (B) | 9/16" | 8 | | 3/8" | 7/16" | 12 | 12 | 1/2" - 20 | 3/4" | 10 | 15 |
| 2 1/2" | 65 | | | | | | | 7/16" - 14 (B) | 5/8" | 8 | | 1/2" | 9/16" | 20 | 20 | 5/8" - 18 | 15/16" | 21 | 30 |
| 3" | 80 | 4" | 100 | 0.8 | 0.30 | 1/4 - 28 | 1/2" | 1/2" - 13 (B) | 3/4" | 8 | | 1/2" | 9/16" | 30 | 30 | 5/8" - 18 | 15/16" | 21 | 30 |
| 4" | 100 | 6" | 150 | 1.1 | 0.64 | 1/4 - 28 | 3/4" | 3/4" - 10 (B) | 1 1/8" | 8 | | 3/4" | 5/8" | 110 | 110 | 3/4" - 16 | 1 1/16" | 40 | 60 |
| 6" | 150 | 8" | 200 | 1.7 | 0.531 | 3/8 - 24 | 3/4" | 3/4" - 10 (B) | 1 1/8" | 12 | | 3/4" | 5/8" | 110 | 110 | 7/8" - 14 | 1 5/16" | 85 | 125 |
| 8" | 200 | 10" | 250 | 2.3 | 0.80 | 3/8 - 24 | 1" | 3/4" - 10 | 1 1/4" | 16 | | 5/8" - 11 | 13/16" | 110 | 110 | 1 1/8" - 12 | 1 13/16" | 125 | 185 |
| 10" | 250 | 12" | 300 | 2.8 | 1.07 | 3/8 - 24 | 1" | 7/8" - 9 | 1 7/16" | 20 | | 3/4" - 10 | 13/16" | 160 | 160 | 1 1/2" - 12 | 1 7/8" | 252 | 375 |
| 12" | 300 | 16" | 400 | 3.4 | 1.29 | 3/8 - 24 | 1 1/4" | 1 1/8" - 7 | 1 13/16" | 20 | | 3/4" - 10 | 13/16" | 390 | 390 | 1 1/2" - 12 | 2 1/2" | 270 | 400 |
| 14" | 350 | | | 3.9 | 1.49 | 3/8 - 24 | 1 1/2" | 1 1/4" - 7 | 2" | 20 | | 1" - 8 | 13/16" | 545 | 545 | 1 1/2" - 12 | 2 1/2" | 280 | 420 |
| 16" | 400 | 20", 24" | 600 | 4.5 | 1.70 | 1/2 - 20 | 2" | 1 1/4" - 7 | 2" | 20 | | 1" - 8 | 13/16" | 545 | 545 | 2" - 16 | 3" | 500 | 750 |
| 20" | 500 | | | 5.63 | 2.13 | 3/4 - 16 | 1 1/2" | 1 3/8" - 6 | 2 1/8" | 24 | | 1" - 8 | 13/16" | 670 | 670 | 2 1/4" - 16 | 3 1/2" | 930 | N/R |
| 24" | 600 | 30" | 800 | 6.75 | 2.55 | 3/4 - 16* | 3/4" | 1 1/2" - 12 | 2 3/8" | 24 | | 1 1/8" - 7 | 13/16" | 800 | 800 | 3" - 12 | Special | 1350 | N/R |

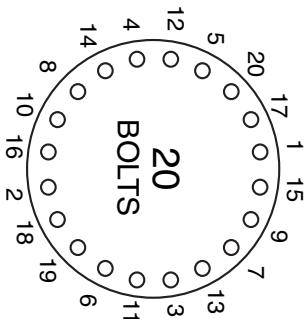
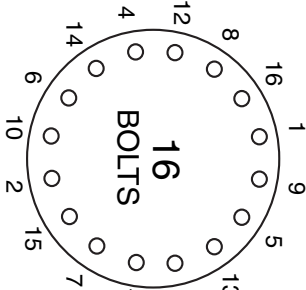
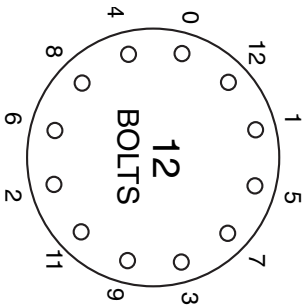
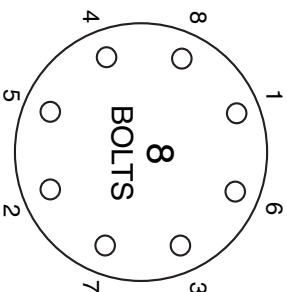
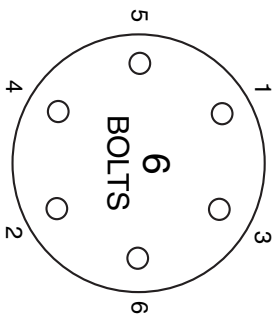
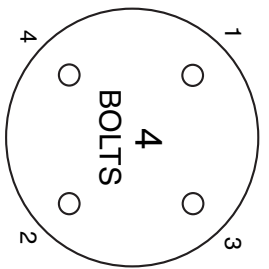
* Adapter p/n 2594101E inside 1/4" - 28"

Grade 5 Bolts "Heavy" Grade Nuts Tighten cover nuts in a "star" cross-over pattern

** Must Use ONLY Cla-Val Supplied part

BOLT/NUT TORQUING PROCEDURES ON VALVE COVERS

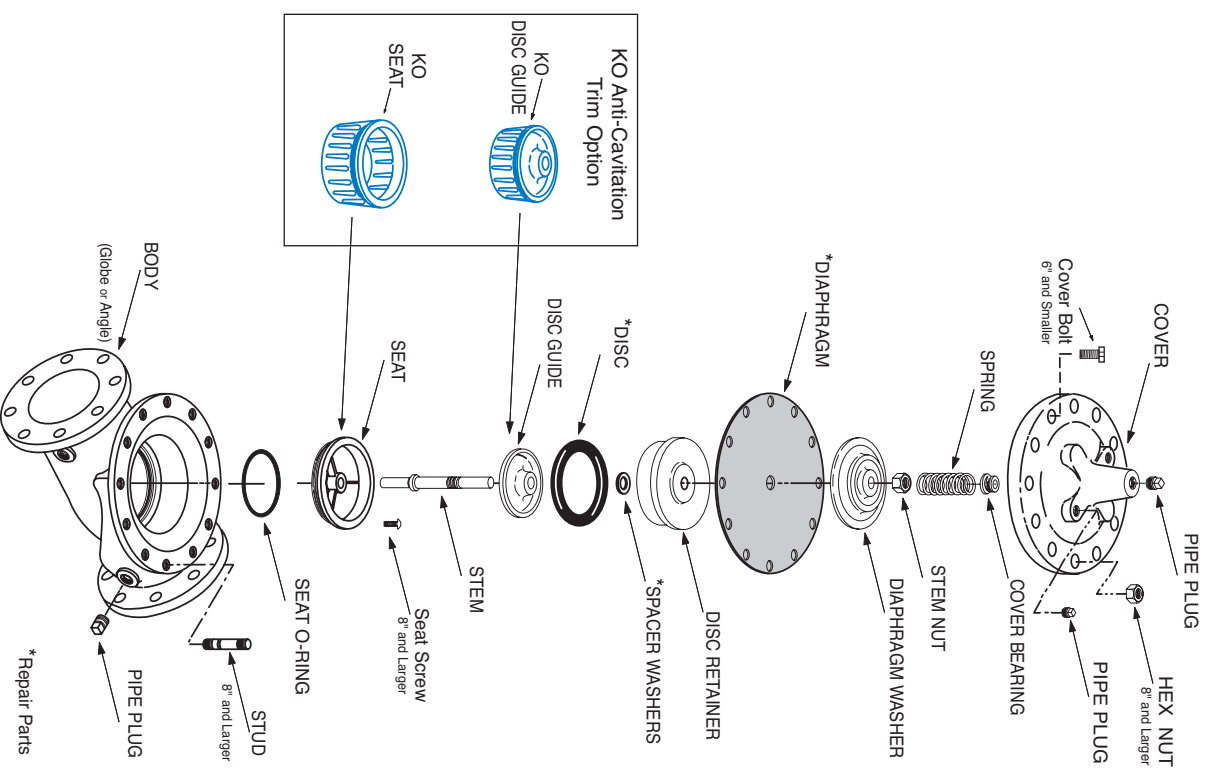
100-01 Hytrol Main Valve Assembly



Follow this procedure when reassembling MAIN Valve:

1. Tightens bolts/nuts in a "Star" or "Cross-Over" pattern following the numbers shown above to insure that cover seats evenly on the diaphragm material and body.
2. Torque the bolt/nuts in three stages with a "Star" or "Cross-Over" pattern for each stage:
 - A. To approximately 10% of final torque.
 - B. To approximately 75% of final torque.
 - C. To final required torque.

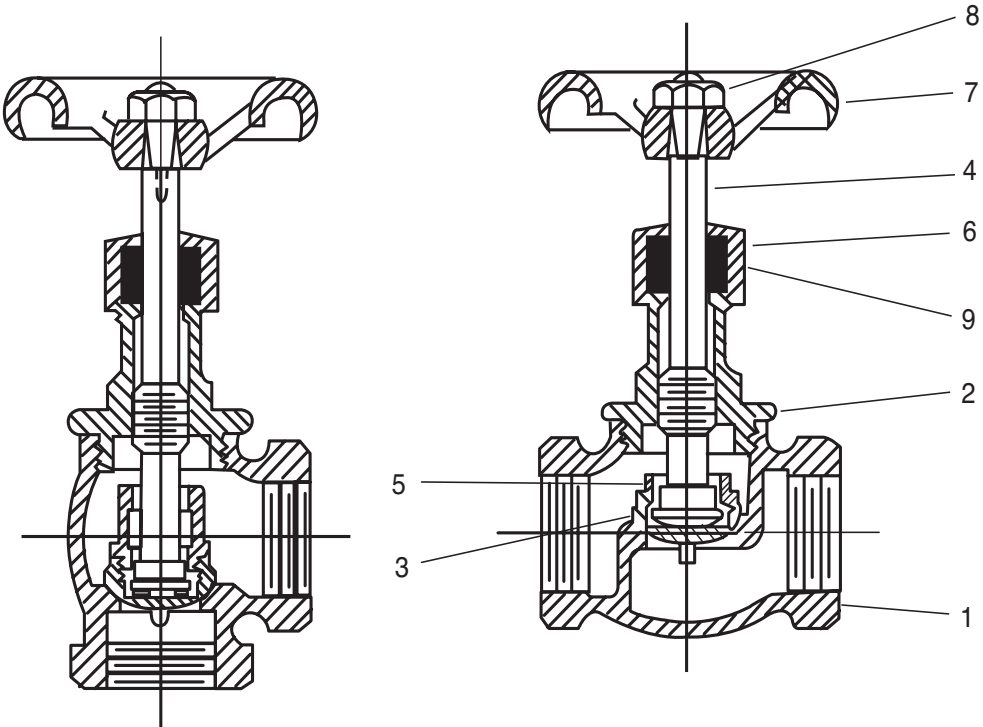
3. Valves that are to be tested to 375 PSI or higher should be retorqued after 24 hours.





CG Series

Globe and Angle Valves CG Series



CAT. NO. CGA
ANGLE

CAT. NO. CG8
GLOBE

PARTS LIST FOR ILLUSTRATION ONLY.
VALVE SOLD ONLY AS A COMPLETE UNIT.

When ordering parts, please specify:
All Nameplate Data or Numbers
Stamped on Assembly

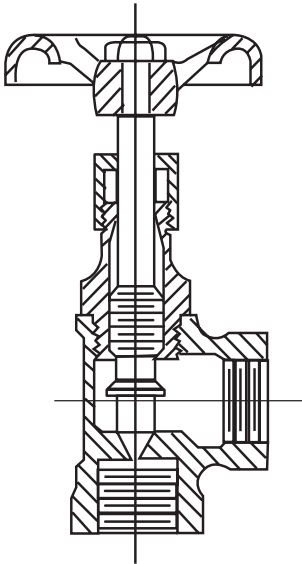
| Item | Description |
|------|-------------|
| 1. | Body |
| 2. | Bonnet |
| 3. | Disc |
| 4. | Stem |
| 5. | Gland |
| 6. | Nut |
| 7. | Handwheel |
| 8. | Nut |
| 9. | Packing |

This page was intentionally left blank!

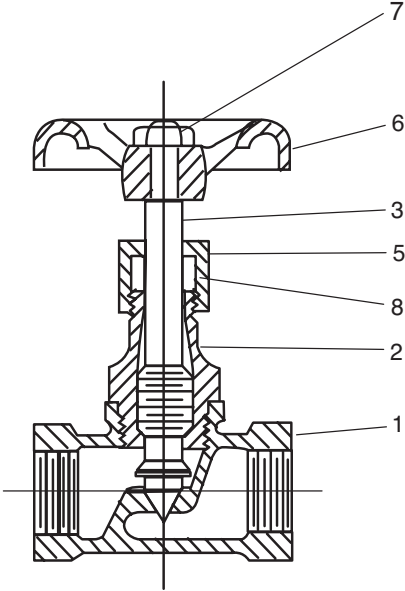


CN

Globe and Angle Needle Valves—CN Series

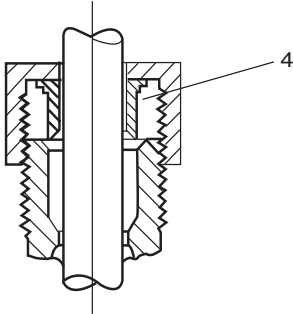


CAT. NO. CNA
ANGLE



CAT. NO. CNB
GLOBE

WHEN USED AS A CONTROL VALVE, HANDWHEEL IS REMOVED AND STEM IS SLOTTED FOR SCREW-DRIVER ADJUSTMENT.



3/4" SIZE ONLY

When ordering parts, please specify:

- All nameplate data
- Description
- Part Number
- Item Number
- Material

| Item | Description |
|------|-------------|
| 1. | Body |
| 2. | Bonnet |
| 3. | Stem |
| 4. | Gland |
| 5. | Nut |
| 6. | Handwheel |
| 7. | Nut |
| 8. | Packing |

This page was intentionally left blank!



NEWPORT BEACH, CALIFORNIA

CATALOG NO.
CSC

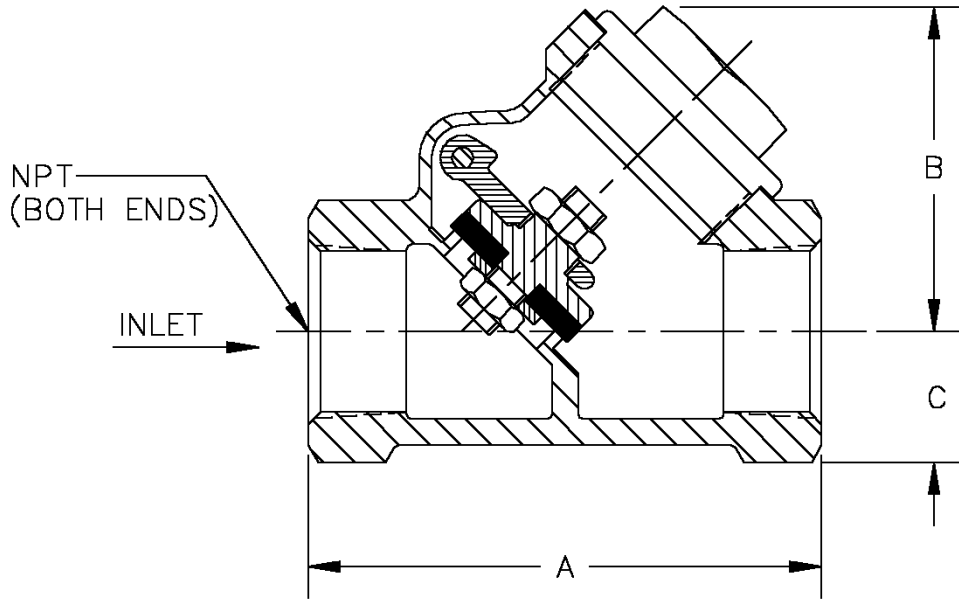
DRAWING NO.
92667

REV.
A

TYPE OF VALVE AND MAIN FEATURES

CSC SWING CHECK VALVE

| | | |
|--------|-----|---------|
| DESIGN | | |
| DRAWN | CH | 11-5-76 |
| CHK'D | MF | 11-8-76 |
| APVD | JAZ | 11-9-76 |



| PIPE SIZE NPT | A | B | C |
|------------------|------|------|-----|
| .25 (1/4) | 2.13 | 1.63 | .50 |
| .38 (3/8) | 2.13 | 1.63 | .50 |
| .50 (1/2) | 2.44 | 1.69 | .63 |
| .75 (3/4) | 2.94 | 1.88 | .75 |
| 1.00 (1) | 3.19 | 2.09 | .94 |

CAD REVISION RECORD - DO NOT REVISE MANUALLY

| LTR | DESCRIPTION | BY | DATE |
|-----|----------------------------|----|----------|
| A | REDRAWN ON CAD (ECO 14229) | EK | 11-15-93 |

THIS DRAWING IS THE PROPERTY OF CLA-VAL CO. AND SAME AND COPIES MADE THEREOF, IF ANY, SHALL BE RETURNED TO IT UPON DEMAND. DELIVERY AND DISCLOSURE HEREOF ARE SOLELY UPON CONDITION THAT THE SAME SHALL NOT BE USED, COPIED OR REPRODUCED, NOR SHALL THE SUBJECT HEREOF BE DISCLOSED IN ANY MANNER TO ANYONE FOR ANY PURPOSE, EXCEPT AS HEREIN AUTHORIZED, WITHOUT PRIOR WRITTEN APPROVAL OF CLA-VAL CO. THIS DRAWING IS SUBMITTED CONFIDENTIALLY AND MAY NOT BE USED IN THE MANUFACTURE OF ANY MATERIAL OR PRODUCT OTHER THAN SUCH MATERIALS AND PRODUCTS FURNISHED TO CLA-VAL CO. WHETHER OR NOT THE EQUIPMENT OR INFORMATION SHOWN HEREON IS PATENTED OR OTHERWISE PROTECTED, FULL TITLE AND COPYRIGHTS, IF ANY, IN AND TO THIS DRAWING AND/OR INFORMATION DELIVERED OR SUBMITTED ARE FULLY RESERVED CLA-VAL CO.®

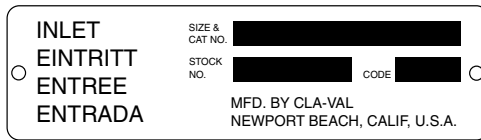
This page was intentionally left blank!

Proper Identification

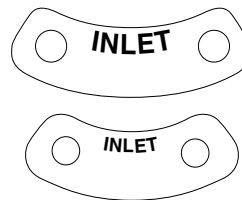
For ordering repair kits, replacement parts, or for inquiries concerning valve operation, it is important to properly identify Cla-Val products already in service by including all nameplate data with your inquiry. Pertinent product data includes valve function, size, material, pressure rating, end details, type of pilot controls used and control adjustment ranges.

Identification Plates

For product identification, cast-in body markings are supplemented by identification plates as illustrated on this page. The plates, depending on type and size of product, are mounted in the most practical position. **It is extremely important that these identification plates are not painted over, removed, or in any other way rendered illegible.**



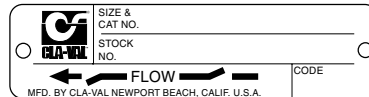
This brass plate appears on valves sized 2 1/2" and larger and is located on the top of the inlet flange.



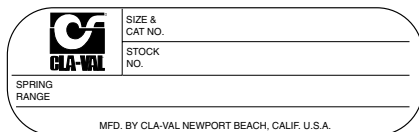
These two brass plates appear on 3/8", 1/2", and 3/4" size valves and are located on the valve cover.



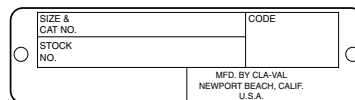
This brass plate appears on altitude valves only and is found on top of the outlet flange.



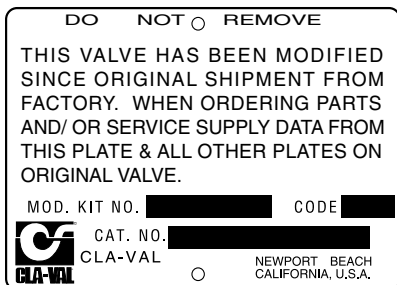
These two brass plates appear on threaded valves 1" through 3" size or flanged valves 1" through 2". It is located on only one side of the valve body.



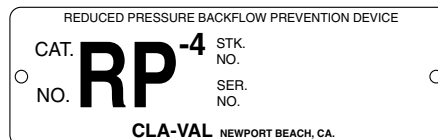
This tag is affixed to the cover of the pilot control valve. The adjustment range appears in the spring range section.



This brass plate is used to identify pilot control valves. The adjustment range is stamped into the plate.



This aluminum plate is included in pilot system modification kits and is to be wired to the new pilot control system after installation.



This brass plate is used on our backflow prevention assemblies. It is located on the side of the Number Two check (2" through 10"). The serial number of the assembly is also stamped on the top of the inlet flange of the Number One check.

HOW TO ORDER

Because of the vast number of possible configurations and combinations available, many valves and controls are not shown in published product and price lists. For ordering information, price and availability on product that are not listed, please contact your local Cla-Val office or our factory office located at:

P. O. Box 1325
Newport Beach, California 92659-0325
(949) 722-4800
FAX (949) 548-5441

SPECIFY WHEN ORDERING

- Model Number
- Globe or Angle Pattern
- Adjustment Range (As Applicable)
- Valve Size
- Threaded or Flanged
- Body and Trim Materials
- Optional Features
- Pressure Class

UNLESS OTHERWISE SPECIFIED

- Globe or angle pattern are the same price
- Ductile iron body and bronze trim are standard
- X46 Flow Clean Strainer or X43 "Y" Strainer are included
- CK2 Isolation Valves are included in price on 4" and larger valve sizes (6" and larger on 600 Series)

LIMITED WARRANTY

Automatic valves and controls as manufactured by Cla-Val are warranted for three years from date of shipment against manufacturing defects in material and workmanship that develop in the service for which they are designed, provided the products are installed and used in accordance with all applicable instructions and limitations issued by Cla-Val. Electronic components manufactured by Cla-Val are warranted for one year from the date of shipment.

We will repair or replace defective material, free of charge, that is returned to our factory, transportation charges prepaid, if upon inspection, the material is found to have been defective at time of original shipment. This warranty is expressly conditioned on the purchaser's providing written notification to Cla-Val immediate upon discovery of the defect.

Components used by Cla-Val but manufactured by others, are warranted only to the extent of that manufacturer's guarantee.

This warranty shall not apply if the product has been altered or repaired by others, Cla-Val shall make no allowance or credit for such repairs or alterations unless authorized in writing by Cla-Val.

DISCLAIMER OF WARRANTIES AND LIMITATIONS OF LIABILITY

The foregoing warranty is exclusive and in lieu of all other warranties and representations, whether expressed, implied, oral or written, including but not limited to any implied warranties or merchantability or fitness for a particular purpose. All such other warranties and representations are hereby cancelled.

Cla-Val shall not be liable for any incidental or consequential loss, damage or expense arising directly or indirectly from the use of the product. Cla-Val shall not be liable for any damages or charges for labor or expense in making repairs or adjustments to the product. Cla-Val shall not be liable for any damages or charges sustained in the adaptation or use of its engineering data and services. No representative of Cla-Val may change any of the foregoing or assume any additional liability or responsibility in connection with the product. The liability of Cla-Val is limited to material replacements F.O.B. Newport Beach, California.

TERMS OF SALE

ACCEPTANCE OF ORDERS

All orders are subject to acceptance by our main office at Newport Beach, California.

CREDIT TERMS

Credit terms are net thirty (30) days from date of invoice.

PURCHASE ORDER FORMS

Orders submitted on customer's own purchase order forms will be accepted only with the express understanding that no statements, clauses, or conditions contained in said order form will be binding on the Seller if they in any way modify the Seller's own terms and conditions of sales.

PRODUCT CHANGES

The right is reserved to make changes in pattern, design or materials when deemed necessary, without prior notice.

PRICES

All prices are F.O.B. Newport Beach, California unless expressly stated otherwise on our acknowledgement of the order. Prices are subject to change without notice. The prices at which any order is accepted are subject to adjustment to the Seller's price in effect at the time of shipment. Prices do not include sales, excise, municipal, state or any other Government taxes. Minimum order charge \$75.00.

RESPONSIBILITY

We will not be responsible for delays resulting from strikes, accidents, negligence of carriers, or other causes beyond our control. Also, we will not be liable for any unauthorized product alterations or charges accruing there from.

RISK

All goods are shipped at the risk of the purchaser after they have been delivered by us to the carrier. Claims for error, shortages, etc., must be made upon receipt of goods.

EXPORT SHIPMENTS

Export shipments are subject to an additional charge for export packing.

RETURNED GOODS

1. Customers must obtain written approval from Cla-Val prior to returning any material.
2. Cla-Val reserves the right to refuse the return of any products.
3. Products more than six (6) months old cannot be returned for credit.
4. Specially produced, non-standard models cannot be returned for credit.
5. Rubber goods such as diaphragms, discs, o-rings, etc., cannot be returned for credit, unless as part of an unopened vacuum sealed repair kit which is less than six months old.
6. Goods authorized for return are subject to a 35% (\$75 minimum) restocking charge and a service charge for inspection, reconditioning, replacement of rubber parts, retesting, repainting and repackaging as required.
7. Authorized returned goods must be packaged and shipped prepaid to Cla-Val, 1701 Placentia Avenue, Costa Mesa, California 92627.



E-Product I.D. (R-3/09)

CLA-VAL

PO Box 1325 Newport Beach CA 92659-0325
Phone: 949-722-4800 • Fax: 949-548-5441

CLA-VAL CANADA

4687 Christie Drive
Beamsville, Ontario
Canada L0R 1B4
Phone: 905-563-4963
Fax: 905-563-4040

CLA-VAL EUROPE

Chemin des Mesanges 1
CH-1032 Romanel/
Lausanne, Switzerland
Phone: 41-21-643-15-55
Fax: 41-21-643-15-50

©COPYRIGHT CLA-VAL 2009 Printed in USA
Specifications subject to change without notice.

www.cla-val.com

Represented By:



— MODEL — **REPAIR KITS**

Complete Replacement Diaphragm Assemblies for 100-01 and 100-20 Hytrol Main Valves
For: Hytrol Main Valves with Ductile Iron, Bronze Trim Materials—**125/150 Pressure Class Only.**
FACTORY ASSEMBLED
 Includes: Stem, Disc Guide, Disc, Disc Retainer, Spacer Washers, Diaphragm, Diaphragm Washer and Stem Nut.

| Valve Size | Diaphragm Assembly Stock Number | | Valve Size | Diaphragm Assembly Stock Number | |
|---------------------------|---------------------------------|--------|------------|---------------------------------|--------|
| | 100-01 | 100-20 | | 100-01 | 100-20 |
| 3/8" (Also 81-01) | 49097K | N/A | 6" | 40456G | 33273E |
| 1/2" - 3/4" (Also 81-01) | C2518D | N/A | 8" | 45276D | 40456G |
| 1" | C2520K | N/A | 10" | 81752J | 45276D |
| 1 1/4"-1 1/2" | C2522 F | N/A | 12" | 85533J | 81752J |
| 2" | C2524B | N/A | 14" | 89067D | N/A |
| 2 1/2" | C2523D | N/A | 16" | 89068B | 85533J |
| 3" | C2525J | C2524B | 20" | N/A | 89068B |
| 4" | 33273E | C2525J | 24" | N/A | 89068B |

Repair Kits for 100-01/100-20 Hytrol Valves

For: Hytrol Main Valves—**125/150 Pressure Class Only.**
 Includes: Diaphragm, Disc (or Disc Assembly) and spare Spacer Washers.

| Buna-N® Standard Material | | | | Viton (For KB Valves) | | | |
|---------------------------|-------------------------|----------|---------------------------|-------------------------|----------|--|--|
| Valve Size | Repair Kit Stock Number | | Valve Size | Repair Kit Stock Number | | | |
| | 100-01 | 100-20 | | 100-01 | 100-20 | | |
| 3/8" (Also 81-01) | 9169801K | N/A | 3/8" (Also 81-01) | 9169806J | N/A | | |
| 1/2" - 3/4" (Also 81-01) | 9169802H | N/A | 1/2" - 3/4" (Also 81-01) | 9169807G | N/A | | |
| 1" | 9169803F | N/A | 1" | 9169808E | N/A | | |
| 1 1/4" - 1 1/2" | 9169804D | N/A | 1 1/4" - 1 1/2" | 9169809C | N/A | | |
| 2" | 9169805A | N/A | 2" | 9169810A | N/A | | |
| 2 1/2" | 9169811J | N/A | 2 1/2" | 9169817F | N/A | | |
| 3" | 9169812G | 9169805A | 3" | 9169818D | 9169810A | | |
| 4" | 9169813E | 9169812G | 4" | 9169819B | 9169818D | | |
| 6" | 9169815K | 9169813E | 6" | 9169820K | 9169819B | | |
| 8" | 9817901D | 9169815K | 8" | 9169834A | 9169820K | | |
| 10" | 9817902B | 9817901D | | | | | |
| 12" | 9817903K | 9817902B | | | | | |
| 14" | 9817904H | N/A | | | | | |
| 16" | 9817905E | 9817903K | | | | | |
| 20" | N/A | 9817905E | | | | | |
| 24" | 9817906C | 9817905E | | | | | |

**When ordering, please give complete nameplate data of the valve and/or control being repaired.
 MINIMUM ORDER CHARGE APPLIES.**

Repair Kits for 100-02/100-21 Powertrol and 100-03/100-22 Powercheck Main Valves

For: Powertrol and Powercheck Main Valves—125/150 Pressure Class Only

Includes: Diaphragm, Disc (or Disc Assembly) and O-rings and full set of spare Spacer Washers.

| Valve Size | Kit Stock Number 100-02 | Valve Size | Kit Stock Number | |
|-----------------|----------------------------|------------|------------------|-----------------|
| | | | 100-02 & 100-03 | 100-21 & 100-22 |
| 3/8" | 9169901H | 2 1/2" | 9169910J | N/A |
| 1/2" & 3/4" | 9169902F | 3" | 9169911G | 9169905J |
| 1" | 9169903D | 4" | 9169912E | 9169911G |
| 1 1/4" & 1 1/2" | 9169904B | 6" | 9169913C | 9169912E |
| 2" | 9169905J | 8" | 99116G | 9169913C |
| | | 10" | 9169939H | 99116G |
| | | 12" | 9169937B | 9169939H |

Repair Kits for 100-04/100-23 Hy-Check Main Valves

Larger Sizes: Consult Factory.

For: Hy-Check Main Valves—125/150 Pressure Class Only

Includes: Diaphragm, Disc and O-Rings and full set of spare Spacer Washers.

| Valve Size | Kit Stock Number | | Valve Size | Kit Stock Number | |
|------------|------------------|-----------|------------|------------------|-----------|
| | 100-04 | 100-23 | | 100-04 | 100-23 |
| 4" | 20210901B | N/A | 12" | 20210905H | 20210904J |
| 6" | 20210902A | 20210901B | 14" | 20210906G | N/A |
| 8" | 20210903K | 20210902A | 16" | 20210907F | 20210905H |
| 10" | 20210904J | 20210903K | 20" | N/A | 20210907F |
| | | | 24" | N/A | 20210907F |

Repair Kits for Pilot Control Valves (In Standard Materials Only)

Larger Sizes: Consult Factory.

Includes: Diaphragm, Disc (or Disc Assembly), O-Rings, Gaskets or spare Screws as appropriate.

| BUNA-N® (Standard Material) | | | | VITON (For KB Controls) | |
|-----------------------------|------------------|-------------------------|------------------|-------------------------------|------------------|
| Pilot Control | Kit Stock Number | Pilot Control | Kit Stock Number | Pilot Control | Kit Stock Number |
| CDB | 9170006C | CFM-7 | 1263901K | CDB-KB | 9170012A |
| CDB-30 | 9170023H | CFM-7A | 1263901K | CRA-KB | N/A |
| CDB-31 | 9170024F | CFM-9 | 12223E | CRD-KB (w/bucking spring) | 9170008J |
| CDB-7 | 9170017K | CRA (w/bucking spring) | 9170001D | CRL-KB | 9170013J |
| CDH-2 | 18225D | CRD (w/bucking spring) | 9170002B | CDHS-2BKB | 9170010E |
| CDHS-2 | 44607A | CRD (no bucking spring) | 9170003K | CDHS-2FKB | 9170011C |
| CDHS-2B | 9170004H | CRD-18 | 20275401K | CDHS-18KB (no bucking spring) | 9170009G |
| CDHS-2F | 9170005E | CRD-22 | 98923G | 102C-KB | 1726202D |
| CDHS-3C-A2 | 24657K | CRL (55F, 55L) | 9170007A | | |
| CDHS-8A | 2666901A | CRL-4A | 43413E | | |
| CDHS-18 | 9170003K | CRL-5 (55B) | 65755B | | |
| CDS-4 | 9170014G | CRL-5A (55G) | 20666E | | |
| CDS-5 | 14200A | CRL-18 | 20309801C | | |
| CDS-6 | 20119301A | CV | 9170019F | | |
| CDS-6A | 20349401C | X105L (O-ring) | 00951E | Buna-N® | |
| CFCM-M1 | 1222301C | 102B-1 | 1502201F | CRD Disc Ret. (Solid) | C5256H |
| CFM-2 | 12223E | 102C-2 | 1726201F | CRD Disc Ret. (Spring) | C5255K |
| | | 102C-3 | 1726201F | | |

Repair Assemblies (In Standard Materials Only)

| Control | Description | Stock Number |
|-------------|--|--------------|
| CF1-C1 | Pilot Assembly Only | 89541H |
| CF1-CI | Complete Float Control less Ball and Rod | 89016A |
| CFC2-C1 | Disc, Distributor and Seals | 2674701E |
| CSM 11-A2-2 | Mechanical Parts Assembly | 97544B |
| CSM 11-A2-2 | Pilot Assembly Only | 18053K |
| 33A 1" | Complete Internal Assembly and Seal | 2036030B |
| 33A 2" | Complete Internal Assembly and Seal | 2040830J |

When ordering, please give complete nameplate data of the valve and/or control being repaired. MINIMUM ORDER CHARGE APPLIES