

Series GF50



Flanged Swing Check Valve

- Low Head Loss
- Watertight Resilient Seat
- Field replaceable Parts
- Full Waterway Opening
- Factory Mutual Approved/U.L. listed



The Cla-Val Series GF50 Flanged Swing Check Valve has a quick closure that minimizes the possibility of water hammer. The swing check design offers low head loss and a full-flow passageway making it ideal for water or waste water applications. It is available in size 2"-12", with 200psi, 250psi, 300psi pressure rating.

Constructed of a ductile iron disc with a rubber seal fastened, the Cla-Val flanged swing check valve offers a positive seal against the rating bronze body seat ring. Check valve disc and clapper arm assembly shall be assembled using corrosion-resistant bearing bushings and washers to help reduce wear and help increase service life.

Specification

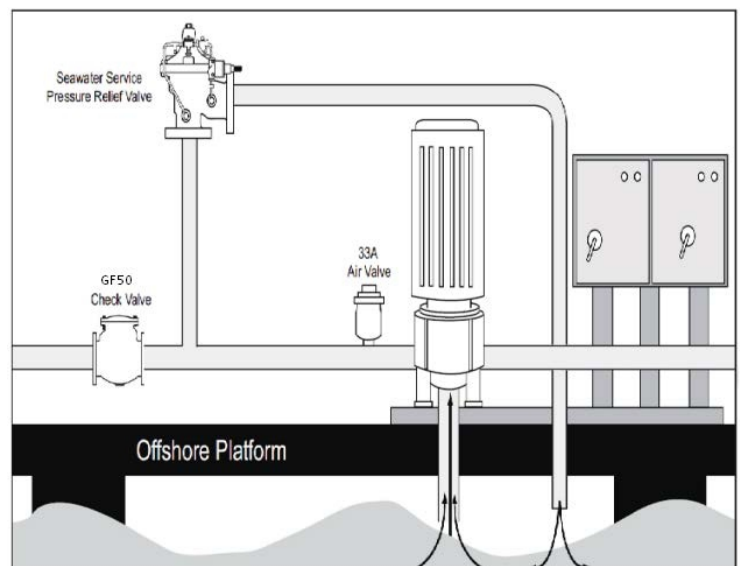
The hanged swing check valve shall be full waterway design in accordance with AWWA C508. The check valve shall consist of a heavy ductile iron body and bonnet, ductile iron disc. Securely fastened by EPDM seat, Bronze body seat ring.

Check Valve shall be suitable for horizontal installation or vertical installation. When the flow of water is in an upward direction, valves 5" and above shall be supplied with an eye bolt for lifting.

Check Valve disc and clapper arm assembly shall be removable from the body without having to remove the check valve from the pipeline. Disassembly of valve internals shall require no special tools other than standard wrenches.

All materials of construction shall conform to ASTM specifications as follows:

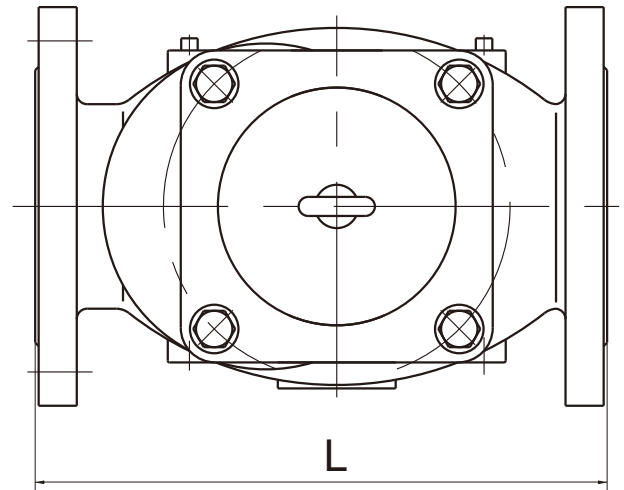
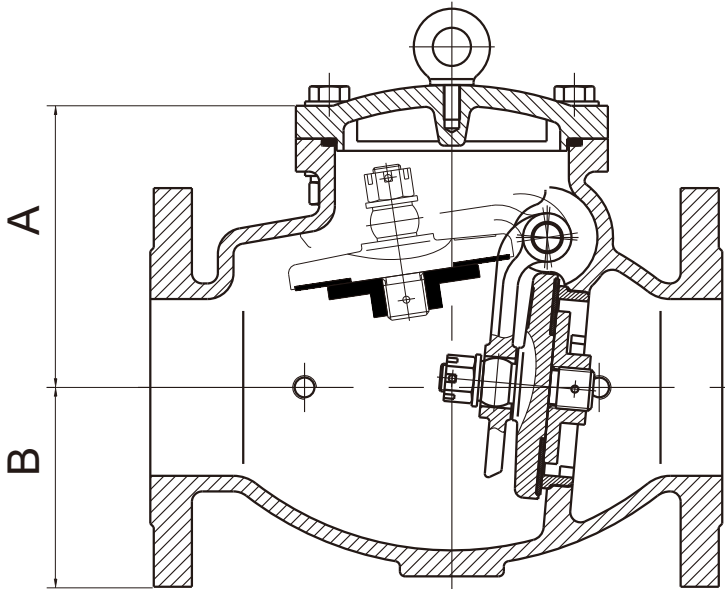
- Body Bonnet: Ductile Iron ASTM A536 65-45-12
- Disc: Ductile Iron ASTM A536 65-45-12+EPDM
- Body Seat Ring: Bronze ASTM B584
- Sizes: DN50-DN300



Series GF50



Flanged Swing Check Valve



Note: Eye bolt is only available from DN125~DN300

MATERIAL SPECIFICATION

Part Name	Material Description
Body	DI
Cover	DI
Clapper	DI
Clapper Arm	DI
Hinge Pin	SS304
Seat	C83600
Seat Ring	EPDM
Plug	SS304
Bushing	C63000
Plate	SS304
Test Screw	SS304
O Ring	EPDM

DIMENSIONS

Size	L	A	B
DN50	203	122	76
DN65	254	133	82
DN80	279	137	95
DN100	330	163	109
DN125	356	215	134
DN150	406	225	140
DN200	495	241	177
DN250	559	307	225
DN300	660	338	255

