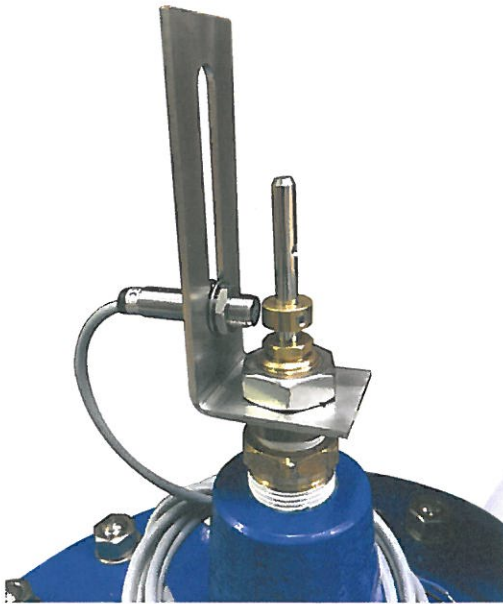


Valve Position Indicator

Model X105P-P



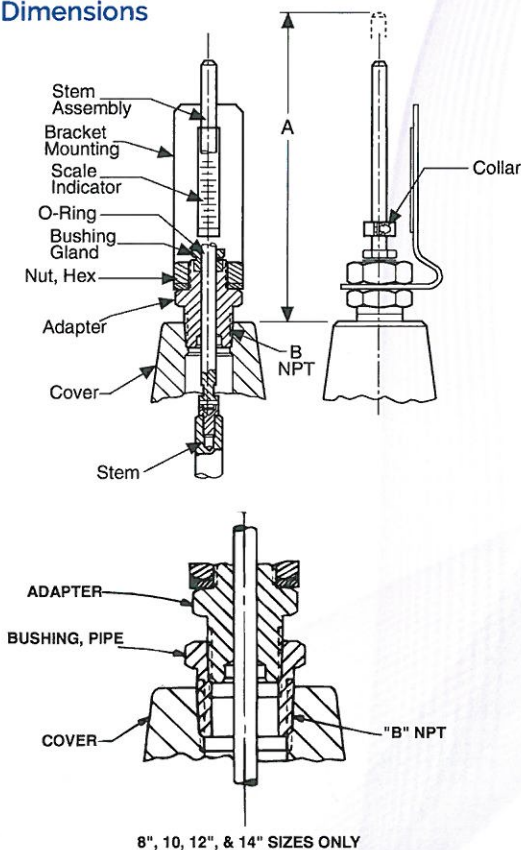
- ☑ Proximity Switch - Single or Dual
- ☑ Accurate Percent of Opening Scale
- ☑ Positive Visual Indicator
- ☑ Frictionless
- ☑ Easy to Read

The Cla-Val Model X105P-P is a PNP Barrel style inductive proximity switch on a SS bracket with a Solid Stainless Steel indicator fixed directly to the valve stem. Stainless Steel barrel with PBT sensing face, high impact & thermal resistance, 2m PUR prewired and M12 versions.

"Factor 1" performance sensing both ferrous and non-ferrous metals.

No load 15mA maxi 3 wire DC, LED status display, IP68 rating, 10-30 VDC, -30 thru +80°C switching current 200mA.

Dimensions



8", 10", 12", & 14" SIZES ONLY

Dimension "A" is height added to valve by indicator assembly.

Valve Size	A INCHES	B NPT
1 1/2"	10 3/16	1/4
2"	7 5/32	1/2
2 1/2"	7 5/32	1/2
3"	7 11/32	1/2
4"	7	3/4
6"	6 11/16	3/4
8"	6 29/32	1
10"	9 7/8	1
12"	9 5/32	3/4
14"	9 5/32	1 1/2
16"	10 25/32	2
18"	Consult Factory	Consult Factory
20"	Consult Factory	Consult Factory
24"	12.1/4	1
30"	Consult Factory	Consult Factory

Specifications

SIZES	1 1/2" thru 30"
MATERIALS	Stainless Steel
PRESSURE RATING	400 psi
RATING	IP68

Installation

Can be installed on any Cla-Val basic main valve in a few minutes. Simply replace the fitting on top of the valve cover with the indicator assembly.

When Ordering, Please Specify

1. Valve Size
2. Catalog No. X105P-P
3. Valve Series No. (Appears on Valve Nameplate)
4. IP rating required
5. Single or Double switch
6. PNP or NPN