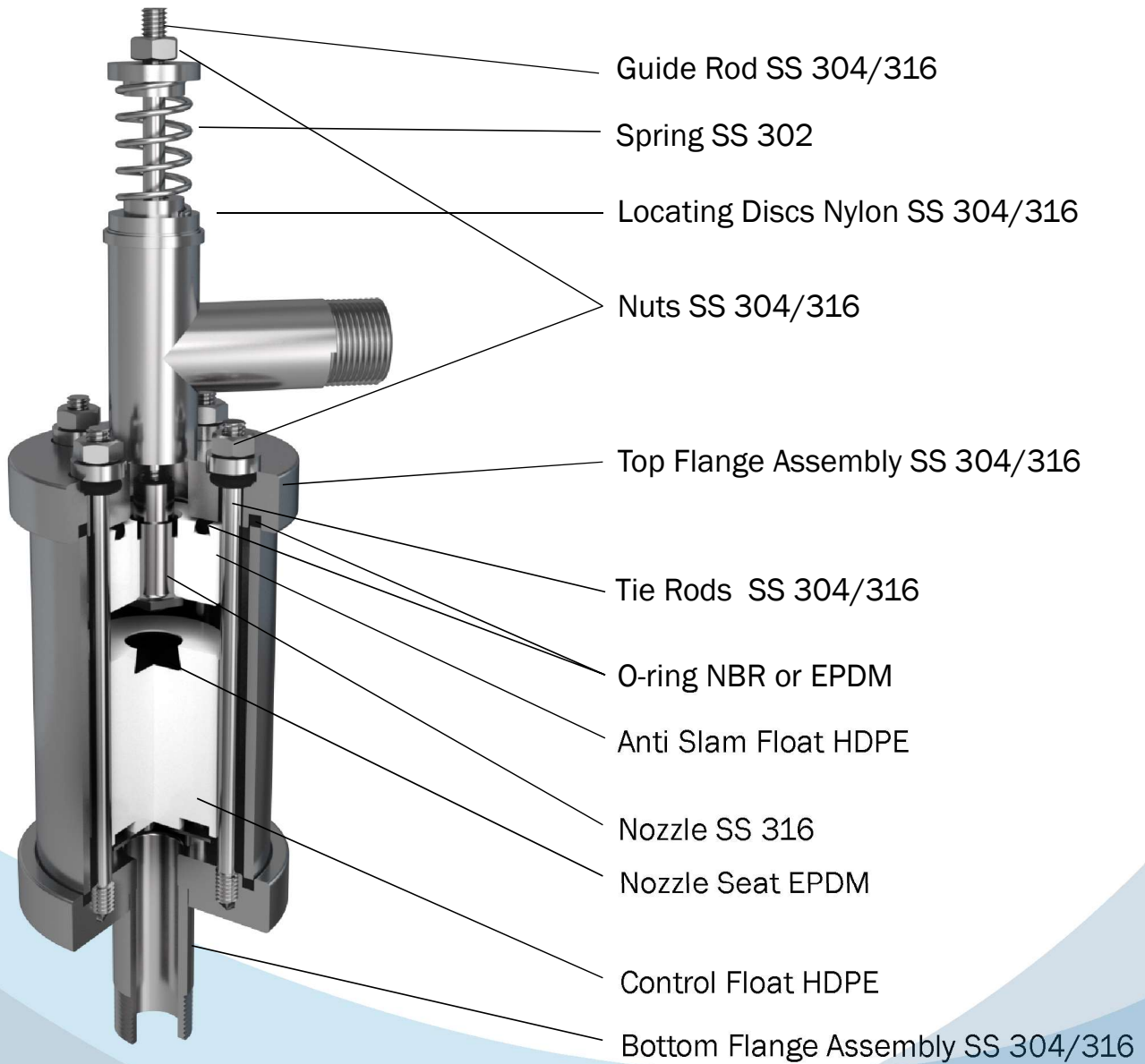


AQUA B70-526

**SERIES IBF FOR DEARATION, VACUUM
BREAK, AND SURGE PROTECTION OF
BUILDING PIPE SYSTEMS**

**ANTI SLAM
AIR RELEASE
AND
VACUUM BREAK
AIR VALVES**

CLA-VAL



Double-Acting with Anti Slam orifice
(triple-acting / three stage)

End Connection
Screwed BSP / NPT

Operating Temperatures
0 - 80° C / 0 - 176° F

Operating Pressure
0.3 - 10 Bar / 2.9 - 145 PSI

Size	Model no.	Pressure Rating	Overall Height	Overall Diameter	Weight
15mm / 1/2"	015 IBF 10	10 Bar / 145 PSI	245mm / 9.4"	65mm / 2.5"	1.4 kg / 3.0 LB
25mm / 1"	025 IBF 10	10 Bar / 145 PSI	303mm / 12"	100mm / 4"	4 kg / 4 LB



CLA-VAL PACIFIC
45 Kennaway Road
Woolston, Christchurch, 8023, New Zealand
Phone: (64)39644860

www.cla-valpacific.com

CLA-VAL 2017 Printed in USA.
Information is subject to change without prior notice E&OE