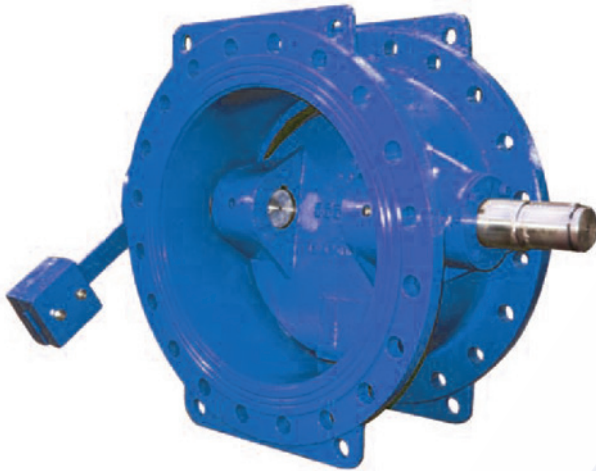


Tilting Disc Check Valve

Model 615



- ✓ **Low head loss, non-slam operation**
- ✓ **Superior performance for a wide variety of applications**

Applications

The Fig.615 Tilting disc check valve provides both low head loss and non-slam performance and is ideal for applications such as potable water, raw water, cooling water and treated water/waster water, high temperature, high pressure, corrosive applications, applications with various flow directions, seawater, irrigation and industrial process applications.

Features

- Streamlined body contouring
- Hydrodynamic disc provides disc stabilization
- Eccentrically mounted disc
- Tapered seat and disc are designed with wear-resistant materials to ensure tight seating and long life, even in the most severe applications
- Disc position indicator for indication and SCADA compatible switches
- Counter weight loaded for eliminating water hammer

Options

- DN100 to DN2000
- PN10 to PN40
- Suitable temperature: -20°C to 120°C
- Body & Disc: DI,CS
- Shaft: SS
- Seal: SS+SS or SS+NBR/EPDM

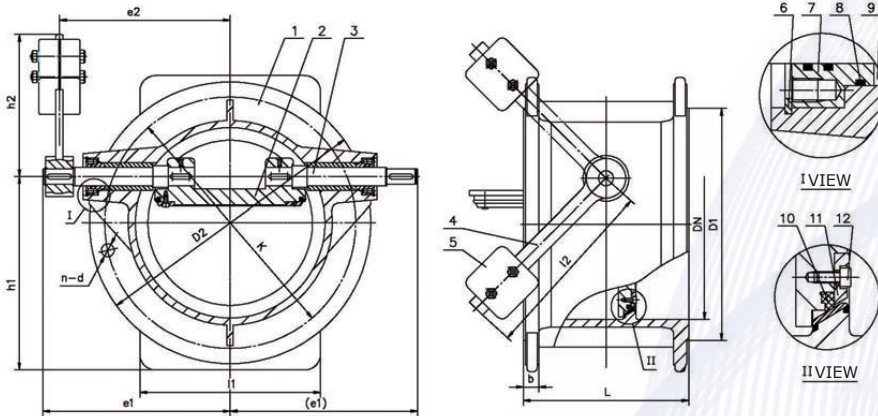
Material Specifications

No.	Part name	Materials	Specification
1	Body	DI	GGG40
2	Disc	DI	GGG40
3	Shaft	Stainless steel	SS420/SS304/SS316
4	Lever	DI	GGG40
5	Counterweight	CI	GG25
6	Shaft bearing	Aluminum bronze	C95800
7	Disc seal ring	Rubber/SS	NBR/EPDM/SS304/SS316
8	Retainer ring	Stainless steel	SS304/SS316

Tilting Disc Check Valve

Design standard: EN12334
 Face to Face according to DIN3202 F4
 Flanges and drilling to EN1092-2, DIN 2501, BS4504

Component List



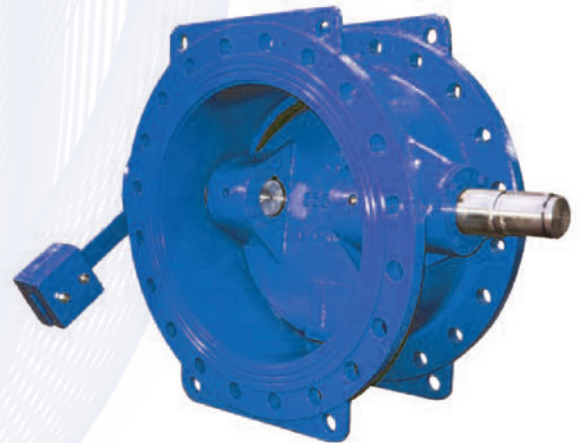
No.	Part name	Materials
1	Body	Ductile iron
2	Disc	Ductile iron
3	Shaft	SS420
4	Lever	Ductile iron
5	Counterweight	GG25
6	Resilient ring	65Mn
7	Seal cover	SS304
8	O-ring	NBR/EPDM
9	Shaft bearing	Al-bronze
10	Disc seal ring	EPDM
11	Retainer ring	SS304
12	Hex. bolt	SS304

Dimensions/PN10 (mm)

DN	L	I1	I2	e1	e2	h1	h2	D2	b	D1	K	n-d
100	190		200	192	160	135	189	220	19	156	180	8-Φ19
150	210		200	238	206	180	189	285	19	211	240	8-Φ23
200	230		200	263	231	220	189	340	20	266	295	8-Φ23
250	250		300	313	276	265	280	400	22	319	350	12-Φ23
300	270		300	326	289	305	280	455	24.5	370	400	12-Φ23
350	290	250	400	388	346	357	372	505	24.5	429	460	16-Φ23
400	310	370	400	418	376	395	372	565	24.5	480	515	16-Φ28
450	330	430	450	470	420	440	405	615	25.5	530	565	20-Φ28
500	350	475	500	495	453	490	460	670	26.5	582	620	20-Φ28
600	390	570	600	592	540	580	555	780	30	682	725	20-Φ31
700	430	590	700	688	623	635	642	895	32.5	794	840	24-Φ31
800	470	660	800	715	656	713	735	1015	35	901	950	24-Φ34
900	510	680	900	825	740	795	830	1115	37.5	1001	1050	28-Φ34
1000	550	700	1000	832	764	890	920	1230	40	1112	1160	28-Φ37
1200	630	850	1200	1000	900	1042	1087	1455	45	1328	1380	32-Φ41
1400	710	1000	1400	1246	1100	1200	1280	1675	46	1530	1590	36-Φ44

Dimensions/PN16 (mm)

DN	L	I1	I2	e1	e2	h1	h2	D2	b	D1	K	n-d
100	190		200	192	160	135	189	220	19	156	180	8-Φ19
150	210		200	238	206	180	189	285	19	211	240	8-Φ23
200	230		200	263	231	220	189	340	20	266	295	12-Φ23
250	250		300	313	276	265	280	400	22	319	350	12-Φ28
300	270		300	326	289	305	280	455	24.5	370	410	12-Φ28
350	290	250	400	388	346	357	372	520	26.5	429	470	16-Φ28
400	310	370	400	418	376	395	372	580	28	480	525	16-Φ31
450	330	430	450	470	420	440	405	640	30	530	585	20-Φ31
500	350	475	500	495	453	490	460	715	31.5	582	650	20-Φ34
600	390	570	600	592	540	580	555	840	36	682	770	20-Φ37
700	430	590	700	688	623	635	642	910	39.5	794	840	24-Φ37
800	470	660	800	715	656	713	735	1025	43	901	950	24-Φ41
900	510	680	900	825	740	795	830	1125	46.5	1001	1050	28-Φ41
1000	550	700	1000	832	764	890	920	1255	50	1112	1170	28-Φ44
1200	630	850	1200	1000	900	1042	1087	1485	57	1328	1390	32-Φ50
1400	710	1000	1400	1246	1100	1200	1280	1685	60	1530	1590	36-Φ50



Any request for bigger sizes, please contact us in detail.
 The content or parameters are indicative and can be changed without any notice.