

GF70
GG70
GC70

Models



Y-type Strainer

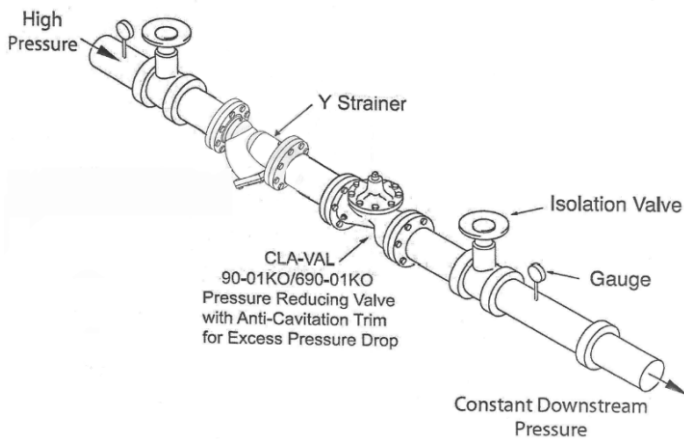


- **UL Listed**
- **Low Pressure Drop**
- **Ductile Iron Fusion Bonded Epoxy Coated construction with a 304 Stainless Steel Strainer**
- **Simple Design Proven Reliable**
- **Service Without Removal From Line**

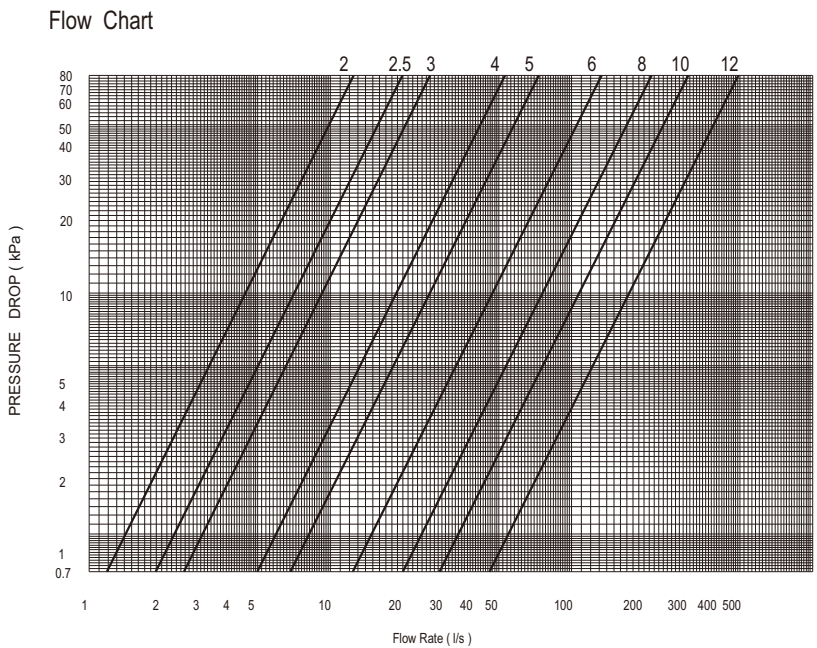
The Cla-Val Model GF70/GG70/GC70 Y- style Strainer is the easiest and most cost effective way to protect piping and equipment from damage caused by pipeline debris. Its large flow area means it can withstand the harsh conditions often encountered in onshore applications.

The body port allows to clear amounts of debris from the strainer without removing the cover. The strainer may be installed in any position, however, installation with cover down is recommended.

Typical Application



Flow Chart



GF70
GG70
GC70

Models



Y-type Strainer

Specifications

Sizes (Inches): 50, 65, 80, 100, 125, 150, 200, 250, 300
Ends: Flanged, ANSI Class 150, ANSI Class 250
Grooved AWWA C606

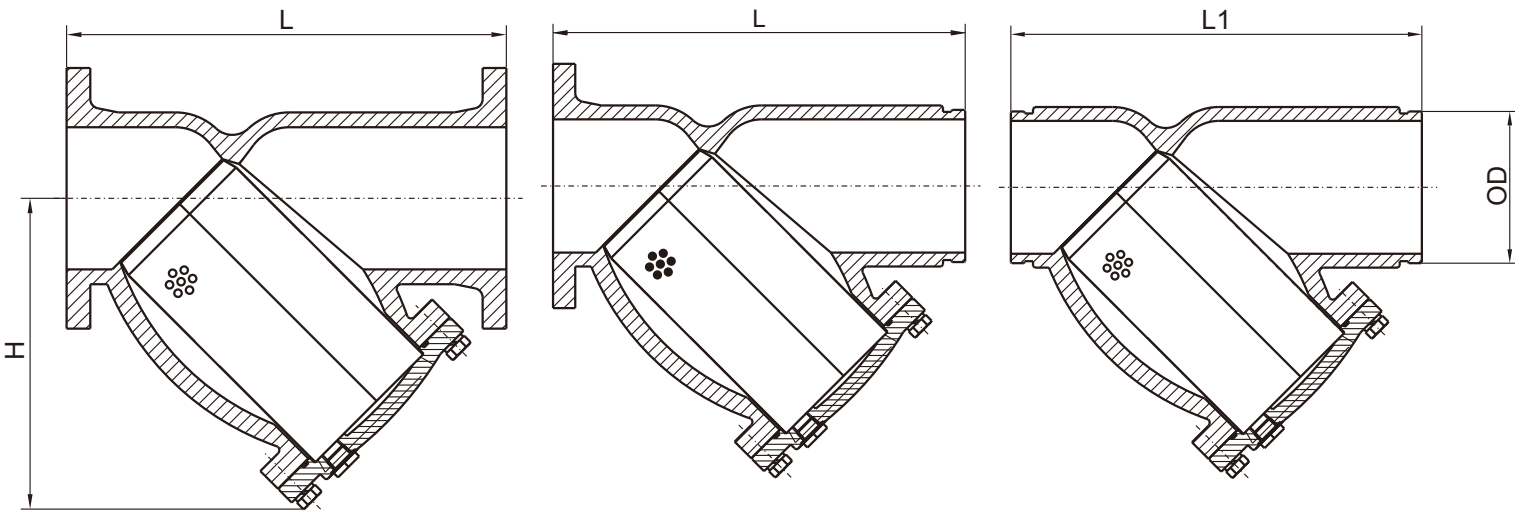
Max Pressure Rating: 300psi
Fluids: Compatible with Materials of Construction
Temperature: Maximum 180°F

Body & Cover: Ductile Iron ASTM A536 65-45-12; Fusion Bonded Epoxy Coating Standard

Cover Seal: EPDM Synthetic Rubber

Strainer: 304 Stainless Steel

Drain/Blow-Off Connection: Furnished with Plug as Standard.



MATERIAL SPECIFICATION

Part Name	Material Description
Body	ASTM A536 65-45-12
Bolt	Steel
Washer	Steel
Cover	ASTM A536 65-45-12
Screen	SS304
Plug	Steel
Plug Seal	Steel+EPDM
O Ring	EPDM
Test Screw	ASTM B16

DIMENSIONS

Size	L	L1	H	OD	PLUG
DN50	203	230	130	Ø60.3	3/4"
DN65	254	254	158	Ø73(Ø76.1)	3/4"
DN80	260	272	175	Ø88.9	3/4"
DN100	308	308	202	Ø114.3	3/4"
DN125	398	398	290	Ø139.7(Ø141.3)	3/4"
DN150	472	472	334	Ø168.3(Ø165.1)	3/4"
DN200	550	550	391	Ø219.1	3/4"
DN250	654	654	459.4	Ø273	3/4"
DN300	762	762	590	Ø323.9	3/4"

