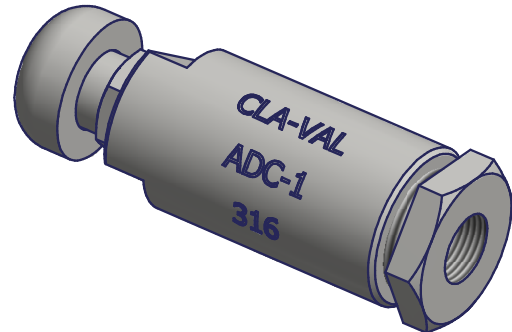


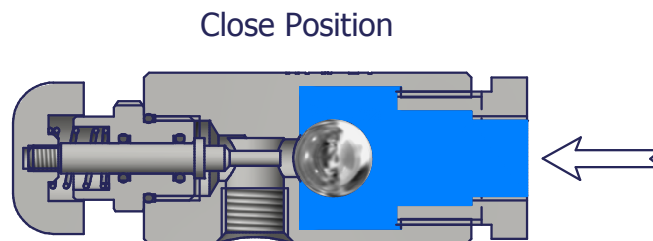
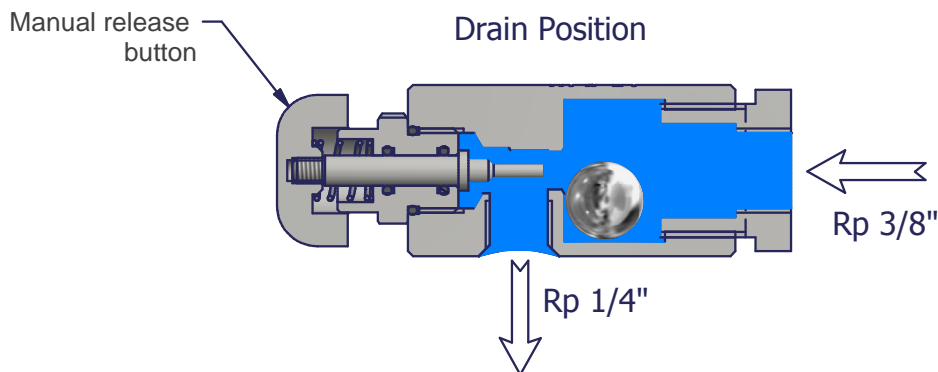
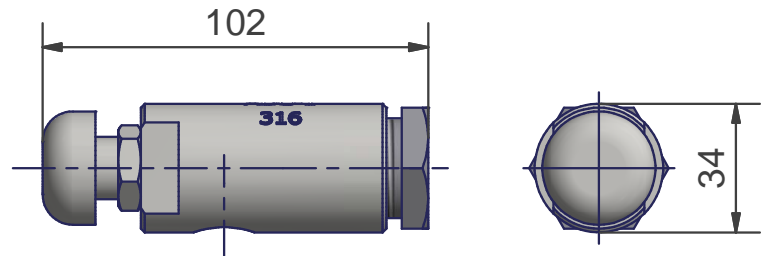
### Description:

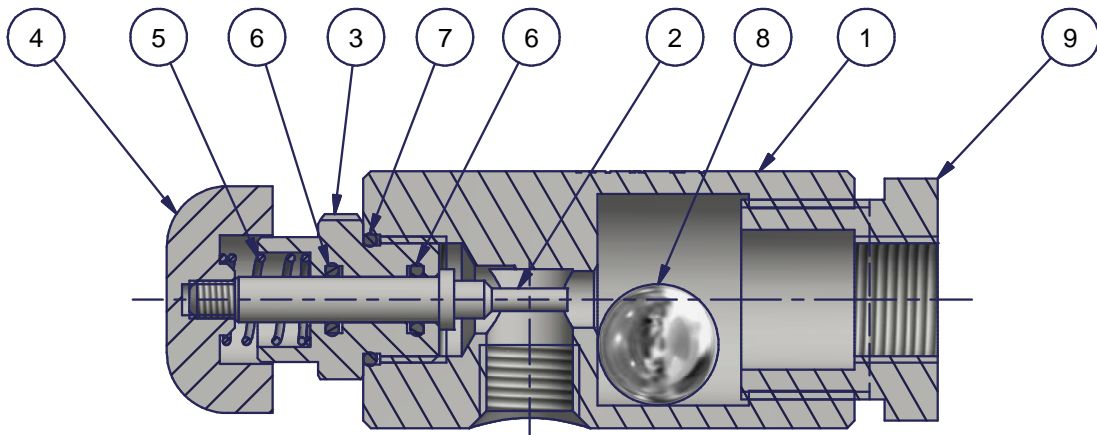
The ADC-1 shall be mounted horizontally at the low point of the system.  
 The ADC-1 will drain leakage or fluid accumulation from a dry piping system.  
 Normally open, the drip check closes upon increase in flow velocity and automatically reopens upon decrease of system pressure.  
 The manual release button can be used to verify that the piping is completely drained.



### Technical data:

Material: All parts in SS316, O-ring in RBR  
 Pressure rating: 21 bar (300 psi)  
 Maximum Flow before closing: 9 l/min  
 Closed at 0,16 bar (2,3 psi)  
 Opens at 0,035 bar (0,5 psi)  
 Weight: 0.46 Kg





Part number: 300595

PART LIST				
POS	QTY	NAME	PART NBR	MATERIAL
1	1	Body	300596	Acier inoxydable - AISI 316
2	1	Stem	300607	Acier inoxydable - AISI 316
3	1	Stem guide	300602	Acier inoxydable - AISI 316
4	1	Button	300606	Acier inoxydable - AISI 316
5	1	Spring	300594	
6	2	O-ring	00710E	Caoutchouc (RBR)
7	1	O-ring	00715D	Caoutchouc (RBR)
8	1	Bille	RB-16-T	Acier inoxydable - AISI 316
9	1	Raccord R 3/4" - Rp 3/8"	RTT0100-42	Acier inoxydable - AISI 316