

2502

Wafer & Lug Concentric Butterfly Valve



● Technical Data

DN50–1200
PN10/PN16
–20–205°C

Size: 2"–48"
Nominal Pressure: PN10/PN16
Working Temperature: –20–205°C
Suitable Medium: Suitable: Water, Gas, Oils, etc.

● Standard

EN593
EN558
EN1092–1/2
ISO5211
EN12266

Design standard: EN593
Face to Face: EN558
Flange connection: EN1092–1/2
Top Flange: ISO5211
Test Inspection: EN12266



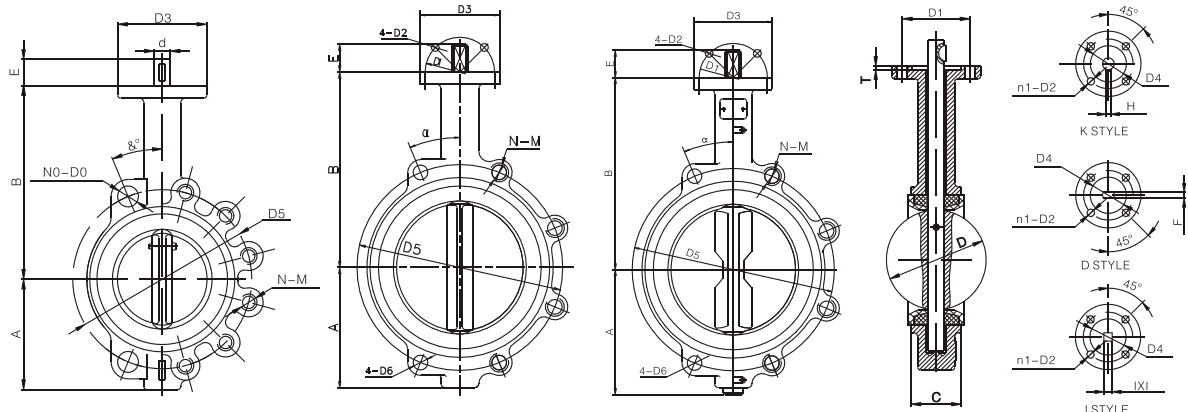
● Material of main parts

No.	Item	Material	Symbol
1	Body	Cast iron	GG25
		Ductile iron	GGG40
		Carbon steel	GE280
		Stainless steel	1.4408/1.4308
		AL–Bronze	CuAL10Fe5Ni5
2	Disc	Ductile iron	GGG40
		Carbon steel	GE280
		Stainless steel	1.4408/1.4308
		Bronze AL–Bronze	CuAL10Fe5Ni5
		Coating	EPDM/VITON/Nylon
3	Shaft	Stainless steel	1.4301/1.4401/1.4406
		Alloy	2.4360
4	Seat	Elastomer	Working Temperature
		EPDM	–15–130°C
		NBR	–10–80°C
		VITON	–20–150°C
		PTFE	–15–205°C
5	Bushing	PTFE	
		Bronze	
6	Pin	Stainless steel	1.4301/1.4401/1.4406
		Alloy	2.4360



2502

Wafer & Lug Concentric Butterfly Valve



Overall Dimension

Size	A	B	E	D	D1	n1-D2	D3	D4XT	d	C	H	F	IXI	DN
2"	80	161	32	52.9	50	4-Φ7	65	35×3	12.6	43	3	10	9×9	DN50
2.5"	89	175	32	64.5	50	4-Φ7	65	35×3	12.6	46	3	10	9×9	DN65
3"	95	181	32	78.8	50	4-Φ7	65	35×3	12.6	46	3	10	11×11	DN80
4"	114	200	32	104	70	4-Φ10	90	55×3	15.77	52	5	12	11×11	DN100
5"	127	213	32	123.3	70	4-Φ10	90	55×3	18.92	56	5	14	14×14	DN125
6"	139	226	32	155.6	70	4-Φ10	90	55×3	18.92	56	5	14	14×14	DN150
8"	175	260	45	202.5	102	4-Φ12	125	70×3	22.1	60	5	17	17×17	DN200
10"	203	292	45	250.5	102	4-Φ12	125	70×3	28.45	68	8	22	22×22	DN250
12"	242	337	45	301.6	102	4-Φ12	125	70×3	31.6	78	8	24	22×22	DN300
14"	267	368	45	333.5	102	4-Φ12	125	70×3	31.6	78	8	24	22×22	DN350
16"	309	400	52/72	389.6	140	4-Φ18	175	100×4	33.15/37.95	102	10	27	27×27	DN400
18"	328	422	52/72	440.51	140	4-Φ18	175	100×4	37.95/42.86	114	10 / 12	27	27×27	DN450
20"	360	480	52/75	491.6	140	4-Φ18	175	100×4	41.12/45.72	127	10 / 12	32	36×36	DN500
24"	459	562	70/82	592.5	165	4-Φ22	210	130×5	50.65/53.98	154	16	36	36×36	DN600
28"	520	624	82	695	254	8-Φ18	300	200×5	63.35	165	2×18			DN700
32"	591	672	82	794.7	254	8-Φ18	300	200×5	63.35	190	2×18			DN800
36"	656	720	118	864.7	298	8-Φ22	350	230×6	75	203	2×20			DN900
40"	722	800	141	965	298	8-Φ22	350	230×6	85	216	2×22			DN1000
48"	864	940	154	1160.6	356	8-Φ33	415	260×7	105	254	2×28			DN1200

N-M, NO-D0, D5, DIN2501 PN10/PN16; ANSI 125/150; BS4504; JISB2210 10K

The dimensions N-M, NO-D0, D5, Conforms to DIN2501 PN10/PN16; ANSI125/150; BS4504; JISB2210 10K.



Cla-Val Pacific
 45 Kennaway Road, Woolston, Christchurch
 Tel: +64 (0)3 964 4860
 Email: aspacsales@cla-val.com
www.cla-valpacific.com

