



— MODEL — **100AF**

3/4" & 1" Sizes

# Water Drain Valve



## INSTALLATION

1. Before valve is installed, pipe line should be flushed of all chips, scale and foreign matter.
2. Preferred installation position is horizontal with cover up. However, vertical or inverted installation is acceptable.
3. Place valve in the line with flow through the valve in the direction indicated on inlet plate or by flow arrow.
4. Tighten cover screws.
5. After the valve is installed and the system is first pressurized, vent air from the cover chamber and tubing by loosening fittings at all high points.

## MAINTENANCE

Model IOOAF Valves require no lubrication or packing and a minimum of maintenance.

### Disassembly

The inspection or maintenance of the IOOAF Valve can be accomplished without removal from the line. After pressure has been shut off and the pressure released from the valve and cover chamber, unscrew cover screws and remove cover, spring and diaphragm assembly. Check disc retainer assembly for excessive wear or embedded particles.

### Reassembly

To reassemble reverse the order of disassembly.

- No lubrication required
- No packing glands; leak-proof service
- Fully supported diaphragm has long life
- Drip tight closure
- Removable seat ring (1" & Larger)
- Single seat, resilient disc assures tight seal
- Simple design, with few moving parts

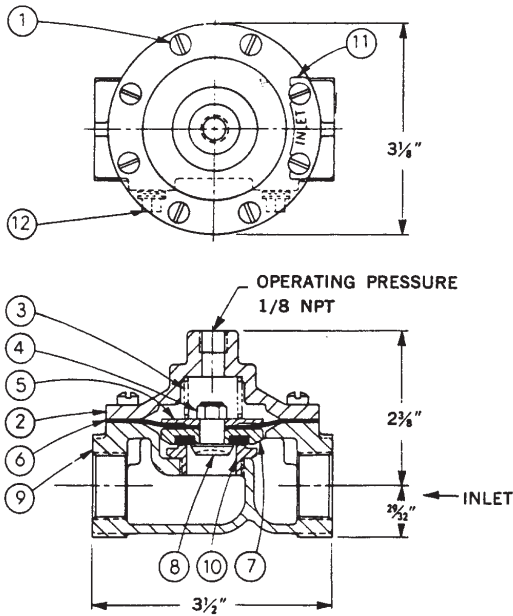
## DESCRIPTION

The Cla-Val Model IOOAF Water Drain Valve is a diaphragm actuated, hydraulically operated globe pattern valve. It is installed in the drain line from the water accumulator sump of FueVWater Separators. It is controlled by the Float Control valve which applies operating pressure above the diaphragm when the Water Drain Valve is to close and relieves pressure to the atmosphere when the valve is to open. If diaphragm becomes damaged, valve closes tight.

## SPECIFICATIONS

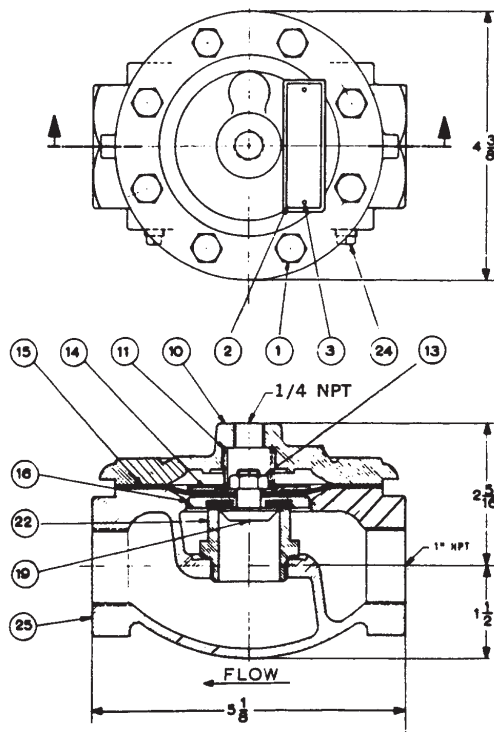
MILITARY	MIL-F-254D
SIZES	3/4", - 1" Other sizes available
PRESSURE RATING	<i>maximum</i> : 400 psi
TEMPERATURE RANGE	32° F. to 180° F.
FLUIDS	Water
STANDARD MATERIALS	<i>valve body and cover:</i> Bronze ASTM B-62 <i>valve trim:</i> Brass <i>diaphragm and disc:</i> Fuel resistant synthetic rubber
OTHER MATERIALS AVAILABLE	Aluminum, or Stainless Steel





**3/4" MODEL 100AF  
STOCK NO. 61097**

ITEM	DESCRIPTION	QUAN. PER UNIT
1.	Cover Screw 10-32 x 3 1/2	8
2.	Cover	1
3.	Spring	1
4.	Stem Nut 3/8-24	1
5.	Dia phragm Washer	1
6.	Dia phragm	1
7.	Disc Retainer Assembly	1
8.	Disc Guide & Stem	1
9.	Body	1
10.	Seat	1
11.	Nameplate	1
12.	Body Plug 1/4 NPT	2



**1" MODEL 100AF  
STOCK NO. 38367**

ITEM	DESCRIPTION	QUAN. PER UNIT
1.	Cover Screw 1/4-20 X 7/8	8
2.	Nameplate	1
3.	Nameplate Screws	2
4.	Spring	1
10.	Stem Nut 3/8-24	1
11.	Diaphragm Washer	1
13.	Diaphragm	1
14.	Disc Retainer Assembly	1
15.	Disc Guide	1
22.	Seat	1
24.	Body Plug 1/4 NPT	2
25.	Body	1



**CLA-VAL**

PO Box 1325 Newport Beach CA 92659-0325  
Phone: 949-722-4800 • Fax: 949-548-5441

**CLA-VAL CANADA**

4687 Christie Drive  
Beamsville, Ontario  
Canada LOR 1B4  
Phone: 905-563-4963  
Fax: 905-563-4040

**CLA-VAL EUROPE**

Chemin des Mesanges 1  
CH-1032 Romanel/  
Lausanne, Switzerland  
Phone: 41-21-643-15-55  
Fax: 41-21-643-15-50

©COPYRIGHT CLA-VAL 2005 Printed in USA  
Specifications subject to change without notice.

www.cla-val.com

Represented By: