



— MODEL — **F76**
Water Filter



- **Patented impeller cleaning system backwashes the filter with a ‘pulsating’ high pressure stream direction through the filter screen**
- **No shut off required during backwash cycle**
- **Built-in secondary filter provides an uninterrupted supply of filtered water during backwashing**
- **Internal bypass construction eliminates stagnant water in seldom used bypass lines**
- **In-line cleaning without disassembly**
- **Automatic backwash option available**

Specifications:

Sizes	1/2", 3/4", 1"
Connection	Threaded NPT
Body	Brass
Sump	Brass
Filter Mesh	Stainless Steel
Internals	Acetal Copolymer
Seals	NBR
Ball Valve	Stainless Steel With PTFE Seals
Max. Inlet PSI	400 psi
Min. Required Inlet PSI	21 psi
Max. Temp.	180° F
Mesh:	100 microns standard (50 or 200 also available)
Gauge:	Included
Automatic Backwash:	24VAC, 50/60Hz (optional)

The Cla-Val F76 removes harmful dirt and debris from water supply to valve pilot system. The F76 is easily and effectively cleaned. It can be used even where high sediment content makes use of common filters impossible. The F76 has an extremely efficient built-in back-washing device. It also supplies filtered water on demand even while backwashing. No longer must the water supply be interrupted to clean the filter.

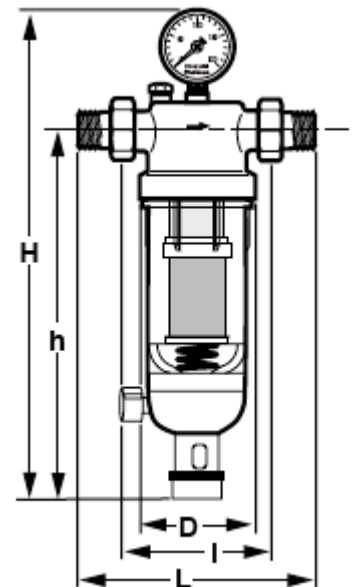
The F76 is backwashed by simply opening the ball valve on the lower portion of the device. This causes water to flow in reverse direction through the filter. To increase the effectiveness of cleaning, water is propelled through the filter in a powerful jet stream from the rotating impeller. This patented device completely cleans the filter of build-up, restoring full flow in a few seconds.

50 microns = 350 mesh approx.
 100 microns = 175 mesh approx.
 200 microns = 70 mesh approx.

Dimensions

SIZE	L ¹	I ¹	D ¹	H ¹	h ¹	WEIGHT ²
1/2 INCH	6-11/16 (170)	4-5/16 (110)	3-13/16 (97)	17-11/16 (449)	13-13/16 (350)	6.4 (2.9)
3/4 INCH	7 (178)	4-5/16 (110)	3-13/16 (97)	17-11/16 (449)	13-13/16 (350)	6.4 (2.9)
1 INCH	8-1/4 (209)	5-1/8 (130)	3-13/16 (97)	17-7/8 (453)	13-13/16 (350)	6.8 (3.1)

¹ DIMENSIONS IN INCHES AND (MILLIMETERS). ² WEIGHT IN POUNDS AND (KILOGRAMS).



Optional Automatic Backwashing Assembly

Valve with motor and timer replaces ball valve drain port for automatic backflushing at pre-programmed intervals. Power required 24 VAC, 50/60 Hz, 4 watts, battery backup.

